

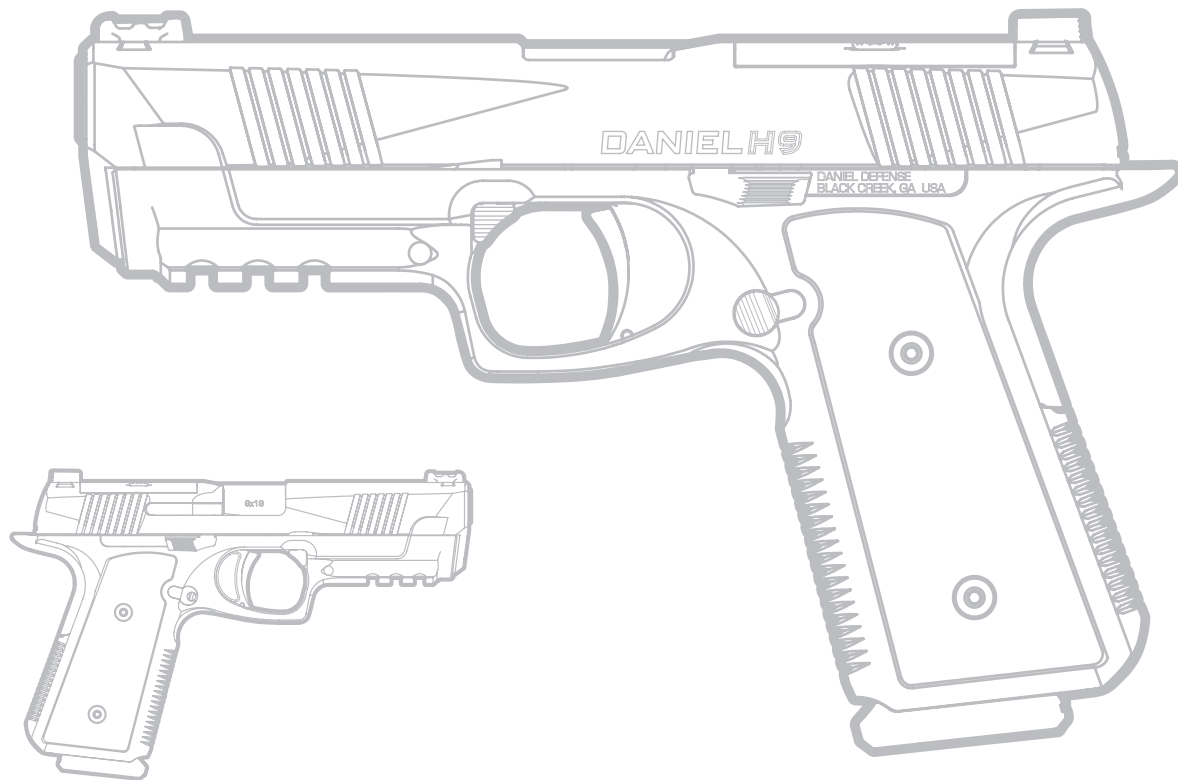
# DANIEL H9<sup>TM</sup>

OPERATION & SAFETY MANUAL

DANIEL  
DEFENSE<sup>®</sup>

# DANIEL H9™

## OPERATION & SAFETY MANUAL



# CONTENTS

<b>1.0 Safety</b> .....	<b>04</b>
1.1 Safety Warnings.....	04
1.2 Safety Information.....	06
1.3 Eye and Ear Protection .....	09
1.4 Ammunition.....	10
1.5 State-by-State Warnings.....	12
1.6 Locking Devices.....	18
1.7 Storage.....	20
1.8 Transportation.....	20
1.9 Technical Specifications.....	21
<b>2.0 Mechanical Characteristics &amp; Operation</b> .....	<b>22</b>
2.1 Parts List and Exploded Views.....	22
2.2 Description of Firearm.....	23
2.3 Principal Features .....	23
2.4 Parts Illustrations & Lists.....	24
<b>3.0 Main Components &amp; Operator Control</b> .....	<b>28</b>
3.1 Opening the Slide .....	29
3.2 Locking the Slide Back .....	29
3.3 Releasing the Slide from a Locked-Back Position .....	30
3.4 Ensuring the Handgun is Safe to Operate .....	31

3.5	Loading the Magazine.....	32
3.6	Loading the Handgun.....	33
3.7	Unloading the Handgun .....	33
3.8	Aiming the Handgun .....	34
3.9	Firing the Handgun .....	34
<b>4.0</b>	<b>Handling.....</b>	<b>36</b>
4.1	Making Your DANIEL H9 Ready to Fire.....	36
4.2	Firing / Action .....	38
4.3	Slide Stop .....	38
4.4	Magazine .....	39
4.5	Operating the Trigger Safety .....	40
4.6	Loading the Handgun.....	41
<b>5.0</b>	<b>Firing .....</b>	<b>42</b>
5.1	Firing the Handgun .....	43
5.2	Dry Firing and Dummy Rounds .....	44
5.3	Reloading During Shooting .....	45
5.4	Stoppages .....	45
5.5	Unloading the Handgun .....	49
5.6	Operating the Slide Stop Lever .....	50

<b>6.0 Handgun Adjustments</b> .....	<b>51</b>
6.1 General Information .....	51
6.2 Magazine-Catch Button Removal and Reversal.....	51
6.3 Factory Sights.....	54
6.4 Choosing and Installing the RDS Plates .....	54
<b>7.0 Maintenance</b> .....	<b>56</b>
7.1 Handgun Disassembly–Field Strip .....	56
7.2 Handgun Assembly .....	59
7.3 Magazine Disassembly.....	62
7.4 Magazine Assembly .....	63
7.5 Inspection, Cleaning, and Lubrication .....	64
7.6 Function Check.....	68
7.7 Periodic Parts Maintenance .....	71
<b>8.0 Daniel Defense Information</b> .....	<b>80</b>
8.1 Satisfaction Guarantee.....	80
8.2 Warranty & Return Requirements .....	81
8.3 Firearm Service & Repair.....	82
8.4 Firearm Record .....	84

# 1.0 SAFETY

## 1.1 SAFETY WARNINGS

### **DANGER**

THIS DANIEL DEFENSE PRODUCT IS POTENTIALLY LETHAL. IT IS CLASSIFIED AS A FIREARM OR DANGEROUS WEAPON BY THE BUREAU OF ALCOHOL, TOBACCO, FIREARMS, AND EXPLOSIVES.

### **NOTICE**

Read and understand the entire user manual before removing the firearm from its package. Your safety and the safety of others requires you to follow the basic instruction on the proper handling and functioning of this Daniel Defense firearm.

### **WARNING**

IF THIS FIREARM IS CARELESSLY OR IMPROPERLY HANDLED, UNINTENTIONAL DISCHARGE MAY RESULT IN OR CAUSE INJURY, DEATH, AND/OR DAMAGE TO PROPERTY.

## **NOTICE**

Daniel Defense shall not be responsible for any injury, death, or damage to property resulting from any intentional, unintentional or accidental discharge of the firearm, or from any firearm function when used for any improper purpose for which it was not designed. Daniel Defense will not honor claims involving the firearm that resulted from careless or improper handling, unauthorized use and/or adjustment or unauthorized part(s) replacement, corrosion, neglect, or the use of improper-caliber ammunition, or the use of ammunition other than original, high-grade, commercially available ammunition in good condition, or any combination thereof.

## **NOTICE**

Before this firearm left the Daniel Defense facility, it was carefully inspected at every stage of the manufacturing process, built by hand by a trained Daniel Defense armorer, tested by a Daniel Defense quality-assurance inspector, and properly packaged. Daniel Defense cannot control the product after it leaves the Daniel Defense facility; as such, please carefully examine the firearm at the time of purchase to ensure it is unloaded and undamaged. The Authorized Dealer and/or distributor will assist you in any such examination and answer any question you may have. The user manual should always accompany the firearm. If you lend, give, or sell the firearm, ensure the manual goes with it. Be sure to comply with all relevant federal and local regulations governing the firearm's proper possession and use.

If unfamiliar with firearms, seek additional information through safe-handling courses run by local gun clubs, NRA-approved instructors, or similarly qualified organizations.

## 1.2 SAFETY INFORMATION

Regardless of your experience level with firearms, we urge you to carefully read this manual in its entirety.

### BASIC RULES FOR FIREARM SAFETY

#### **⚠ WARNING**

#### **1. ALWAYS treat every firearm as if it is loaded.**

- Never take anyone else's word that a firearm is unloaded.
- Always visually inspect the chamber yourself (and magazine, if equipped) to ensure that the firearm is completely unloaded even if you just witnessed someone else perform this safety check.
- Always remove the magazine and lock the action to the rear before laying a firearm down or handing someone a firearm.
- Do not load your firearm until you are ready to shoot.

#### **2. NEVER point the muzzle of a firearm at anything you are not willing to destroy.**

- Pay close attention to the direction of your muzzle at all times when carrying or handling a firearm.
- Always unload a firearm before navigating difficult terrain (i.e., fence crossings, hills, rocky or loose terrain, tree stands, etc.).



**3. ALWAYS keep your finger off the trigger until your sights are on the target and you're ready to fire.**

- Keep your finger on the receiver or trigger guard until you're ready to fire.

**4. ALWAYS be sure of your target and what's beyond it before firing.**

- Understand what is behind your target should the bullet pass through it.
- Understand where the bullet could go should you miss your target.
- Make sure your backstop is adequate to stop your bullets and large enough to block any misplaced shots.
- Never shoot at or near rocks, hard surfaces, water, or any other surfaces that may cause a ricochet or a bullet to veer off course and potentially cause injury, death, and/or damage.

**5. NEVER leave a firearm unattended or unsecured.**

- Someone, including a child, could improperly handle it and cause damage, injury, and/or death with an unattended or unsecured firearm.
- Always instruct children and others in your household to respect firearms and stress all aspects of firearm safety.
- Refer to a qualified instructor for help in training, and supervise all activities closely.
- YOU ARE RESPONSIBLE FOR YOUR FIREARM!

**⚠ WARNING**

IF YOU PULL OR DEPRESS THE TRIGGER, INTENTIONALLY OR UNINTENTIONALLY, EXPECT THE FIREARM TO FIRE. YOUR CAREFUL ADHERENCE TO SAFETY RULES MAY HELP PREVENT AN ACCIDENTAL DISCHARGE AND ANY RESULTING ACCIDENTAL INJURY, PROPERTY DAMAGE, AND/OR DEATH. YOU ARE FULLY RESPONSIBLE FOR THE SAFE USE OF ANY FIREARM IN YOUR POSSESSION AND FOR ANY DAMAGE, INJURY, AND/OR DEATH CAUSED BY IT.

THIS FIREARM MAY DISCHARGE WHEN A ROUND IS FED INTO THE CHAMBER OR IF IT IS DROPPED OR JARRED, REGARDLESS OF THE POSITION OF THE SAFETY SELECTOR AND WITHOUT THE TRIGGER BEING DEPRESSED OR PULLED. THEREFORE, EXTRA CARE AND STRICT ADHERENCE TO THE INSTRUCTIONS CONTAINED WITHIN THIS USER MANUAL BY THE FIREARM USER IS ESSENTIAL FOR MINIMIZING THE RISK OF ACCIDENTAL PROPERTY DAMAGE, INJURIES, AND/OR DEATH.

WHEN THERE IS A ROUND IN THE CHAMBER, THE ROUND WILL DISCHARGE IF THE TRIGGER IS PRESSED. IT IS ABSOLUTELY ESSENTIAL FOR THE USER TO KNOW HOW TO COMPLETELY UNLOAD THE HANDGUN. "COMPLETELY" MEANS EMPTYING THE MAGAZINE AND REMOVING A CHAMBERED ROUND. REMOVING THE MAGAZINE FROM THE HANDGUN DOES NOT PREVENT IT FROM BEING FIRED. A HANDGUN WILL FIRE A CHAMBERED ROUND EVEN WITH MAGAZINE REMOVED.

## 1.3 EYE AND EAR PROTECTION

Always wear protective shooting glasses that meet the minimum requirements of the American National Standards Institute (ANSI) z87.1 and some form of internal and/or external hearing protection while shooting. ANSI z87.1-rated glasses protect your eyes against high-pressure gas, ejected material, and high-speed debris normally associated with firearms usage. When servicing any firearm, wearing eye protection will help prevent the possibility of eye injury or damage resulting from ejected springs under tension, spring-loaded parts, and/or sprays, solvents, or other agents coming into contact with your eyes.

Cumulative exposure to shooting noise may degrade or permanently damage hearing. There is a wide variety of eye and ear protectors available, and no shooter should ever be without both forms of protection. If you are on the range with others, visually inspect and verbally confirm that your fellow shooters are adequately protected prior to shooting. Having your ears and eyes protected will make your shooting safer and easier, and it will help improve your enjoyment of shooting sports.



## 1.4 AMMUNITION

**⚠ WARNING** NEVER USE AMMUNITION NOT SPECIFICALLY DESIGNATED FOR USE IN YOUR FIREARM. FAILURE TO USE THE SPECIFIC CARTRIDGE INTENDED FOR THE DANIEL H9 PISTOL MAY CAUSE THE PISTOL TO JAM, FAIL TO FIRE, OR EVEN GENERATE EXCESSIVE GAS PRESSURE, WHICH MAY DAMAGE OR DESTROY THE PISTOL OR CAUSE PERSONAL INJURY, DEATH, AND/OR PROPERTY DAMAGE.

Locate the cartridge designation marked on the handgun barrel. This information indicates the ammunition that **MUST** be used in this firearm (**Figure 01**). You are responsible for selecting ammunition that meets industry standards and is the appropriate type and caliber for this firearm.

In some cases, a round of ammunition not specified on your handgun may fit into the chamber. Firing ammunition not specified for your handgun could lead to a catastrophic failure and may cause serious injury or even death to you and/or others.

Always inspect your ammunition before using it. Never use dirty, corroded, or damaged ammunition, which may lead to a burst cartridge and cause damage to the handgun and/or personal injury or death.

Use only commercially manufactured ammunition with internal ballistic pressures that conform with the specifications of the Sporting Arms and Ammunition Manufacturers' Institute (SAAMI). The use of remanufactured or hand-loaded ammunition is not recommended. Use of remanufactured or hand-loaded ammunition introduces risks ranging from poor reliability to catastrophic failures that may result in serious injury or death to you and/or bystanders.



**Figure 01:**  
Location of Caliber  
Designation Mark on  
DANIEL H9 Handgun

## 1.5 STATE-BY-STATE WARNINGS

Certain states have laws requiring that specific warnings be provided with handguns sold in those states. The safety warnings required by all states are included in this manual. It is your responsibility to maintain compliance with state and local laws regulating the ownership, use, and storage of this firearm.

### CALIFORNIA

**⚠ WARNING** FIREARMS MUST BE HANDLED RESPONSIBLY AND SECURELY STORED TO PREVENT ACCESS BY CHILDREN AND OTHER UNAUTHORIZED USERS. CALIFORNIA HAS STRICT LAWS PERTAINING TO FIREARMS, AND YOU MAY BE FINED OR IMPRISONED IF YOU FAIL TO COMPLY WITH THEM. VISIT THE WEBSITE OF THE CALIFORNIA ATTORNEY GENERAL AT <HTTPS://OAG.CA.GOV/FIREARMS> FOR INFORMATION ON FIREARMS LAWS APPLICABLE TO YOU AND HOW YOU CAN COMPLY. PREVENT CHILD ACCESS BY ALWAYS KEEPING GUNS LOCKED AWAY AND UNLOADED WHEN NOT IN USE. IF YOU KEEP A LOADED FIREARM WHERE A CHILD OBTAINS AND IMPROPERLY USES IT, YOU MAY BE FINED OR SENT TO PRISON.

## CONNECTICUT

### **⚠️ WARNING**

**UNLAWFUL STORAGE OF A LOADED FIREARM MAY RESULT IN IMPRISONMENT OR FINE.**

## FLORIDA

### **⚠️ WARNING**

**IT IS UNLAWFUL, AND PUNISHABLE BY IMPRISONMENT AND FINE, FOR ANY ADULT TO STORE OR LEAVE A FIREARM IN ANY PLACE WITHIN THE REACH OR EASY ACCESS OF A MINOR UNDER 18 YEARS OF AGE OR TO KNOWINGLY SELL OR OTHERWISE TRANSFER OWNERSHIP OR POSSESSION OF A FIREARM TO A MINOR OR A PERSON OF UNSOUND MIND.**

**ENDANGERING THE WELFARE OF A CHILD IS A CRIME. IF YOU LEAVE A FIREARM AND AMMUNITION WITHIN EASY ACCESS OF A CHILD, YOU MAY BE SUBJECT TO FINE, IMPRISONMENT OR BOTH. KEEP FIREARMS AND AMMUNITION LOCKED UP. USE TRIGGER LOCKS.**

## MARYLAND

**⚠ WARNING** CHILDREN CAN OPERATE FIREARMS, WHICH MAY CAUSE DEATH OR SERIOUS INJURY. IT IS A CRIME TO STORE OR LEAVE A LOADED FIREARM IN ANY LOCATION WHERE AN INDIVIDUAL KNEW OR SHOULD HAVE KNOWN THAT AN UNSUPERVISED MINOR WOULD GAIN ACCESS TO THE FIREARM. STORE YOUR FIREARM RESPONSIBLY!

## MASSACHUSETTS

**⚠ WARNING** FROM THE MASSACHUSETTS ATTORNEY GENERAL: THIS HANDGUN IS NOT EQUIPPED WITH A DEVICE THAT FULLY BLOCKS USE BY UNAUTHORIZED USERS. MORE THAN 200,000 FIREARMS LIKE THIS ONE ARE STOLEN FROM THEIR OWNERS EVERY YEAR IN THE UNITED STATES. IN ADDITION, THERE ARE MORE THAN A THOUSAND SUICIDES EACH YEAR BY YOUNGER CHILDREN AND TEENAGERS WHO GET ACCESS TO FIREARMS. HUNDREDS MORE DIE FROM ACCIDENTAL DISCHARGE. IT IS LIKELY THAT MANY MORE CHILDREN SUSTAIN SERIOUS WOUNDS, OR INFLICT SUCH WOUNDS ACCIDENTALLY ON OTHERS. IN ORDER TO LIMIT THE CHANCE OF SUCH MISUSE, IT IS IMPERATIVE THAT YOU KEEP THIS WEAPON LOCKED IN A SECURE PLACE AND TAKE RESPONSIBLE, PREVENTIVE STEPS NECESSARY TO LIMIT THE POSSIBILITY OF THEFT OR ACCIDENT. FAILURE TO TAKE REASONABLE, PREVENTIVE STEPS MAY RESULT IN INNOCENT LIVES BEING LOST, AND IN SOME CIRCUMSTANCES MAY RESULT IN YOUR LIABILITY FOR THESE DEATHS.



*Continued from previous page*

**IT IS UNLAWFUL TO STORE OR KEEP A FIREARM, RIFLE, SHOTGUN OR MACHINE GUN IN ANY PLACE UNLESS THAT WEAPON IS EQUIPPED WITH A TAMPER-RESISTANT SAFETY DEVICE OR IS STORED OR KEPT IN A SECURELY LOCKED CONTAINER.**

### **NEW JERSEY**

**⚠ WARNING** IT IS A CRIMINAL OFFENSE TO LEAVE A LOADED FIREARM WITHIN EASY ACCESS OF A MINOR.

### **NEW YORK CITY**

**⚠ WARNING** THE USE OF A LOCKING DEVICE OR SAFETY LOCK IS ONLY ONE ASPECT OF RESPONSIBLE FIREARMS STORAGE. FOR INCREASED SAFETY, FIREARMS SHOULD BE STORED UNLOADED AND LOCKED IN A LOCATION THAT IS BOTH SEPARATE FROM THEIR AMMUNITION AND INACCESSIBLE TO CHILDREN AND OTHER UNAUTHORIZED PERSONS.

## NORTH CAROLINA

**⚠ WARNING** IT IS UNLAWFUL TO STORE OR LEAVE A FIREARM THAT MAY BE DISCHARGED IN A MANNER THAT A REASONABLE PERSON SHOULD KNOW IS ACCESSIBLE TO A MINOR.

## TEXAS

**⚠ WARNING** IT IS UNLAWFUL TO STORE, TRANSPORT, OR ABANDON AN UNSECURED FIREARM IN A PLACE WHERE CHILDREN ARE LIKELY TO BE AND MAY OBTAIN ACCESS TO THE FIREARM.

## WISCONSIN

**⚠ WARNING** IF YOU LEAVE A LOADED FIREARM WITHIN THE REACH OR EASY ACCESS OF A CHILD, YOU MAY BE FINED OR IMPRISONED OR BOTH IF THE CHILD IMPROPERLY DISCHARGES, POSSESSES, OR EXHIBITS THE FIREARM.

**THIS PAGE INTENTIONALLY LEFT BLANK**

## 1.6 LOCKING DEVICES

Your DANIEL H9 handgun comes standard with a cable lock. To properly employ the lock, follow the instructions below.

**⚠ WARNING** KEEP THE MUZZLE POINTED IN A SAFE DIRECTION AND YOUR FINGERS OUTSIDE OF THE TRIGGER GUARD AT ALL TIMES DURING INSTALLATION OF THE LOCKING DEVICE!

### To Install the Factory-Supplied Locking Device:

1. Remove the magazine from your handgun.
2. Open the action completely using the Slide Stop to keep the DANIEL H9 slide locked in the rearward position. Verify that the firearm is completely unloaded and contains no cartridges or cartridge cases! Verify that the chamber is empty.
3. Insert the cable directly into your handgun through the ejection port and down the entire length of the grip (**Figure 02**).
4. To lock: With the key turned to the farthest clockwise position, insert the loose end of the cable into the lock. Turn the key counter-clockwise and remove the key.
5. Once the lock is securely closed, pull firmly on the lock to test the connection and ensure it is locked.

**⚠️ WARNING** DO NOT LEAVE OR STORE YOUR FIREARM WITH THE KEY IN THE LOCK! STORE YOUR LOCKED, UNLOADED FIREARM AND THE KEY IN A SECURE, SEPARATE LOCATION, AWAY FROM ANY AMMUNITION, CHILDREN, AND/OR UNAUTHORIZED ADULTS.



**Figure 02:**  
Firearm with Properly  
Installed Lock

## 1.7 STORAGE

**⚠ WARNING** ALWAYS UNLOAD YOUR FIREARM FOR STORAGE AND STORE AMMUNITION SEPARATELY!

Store your firearm and ammunition securely locked in separate locations out of the reach and sight of children (Children are naturally curious and do not always believe or understand the real danger of firearms or the responsibilities of safely handling them).

## 1.8 TRANSPORTATION

When transporting your firearm to and from shooting activities, keep it unloaded for your safety and the safety of others. Keep the firearm out of the reach of children and/or other inexperienced or unauthorized persons. Never place or store any firearm in such a manner that it may be dislodged or create a hazard. Use the locking device originally supplied with this firearm for transport. The firearm should be placed in a location that is separate from ammunition. Always be mindful of state and local laws during the transport of firearms and ammunition.

## 1.9 TECHNICAL SPECIFICATIONS

<b>Model</b> .....	DANIEL H9
<b>Caliber</b> .....	9x19mm
<b>Action</b> .....	Striker-Fired, Reciprocating Slide, Tilting Barrel
<b>Magazine Capacity</b> .....	15 Rounds
<b>Barrel Length</b> .....	4.28"
<b>Overall Length</b> .....	7.69"
<b>Overall Height</b> .....	5.2"
<b>Overall Width</b> .....	1.2" (Slide Stop Lever)
<b>Slide Width</b> .....	1"
<b>Weight (w/Unloaded Magazine)</b> .....	30 oz.
<b>Accessory Rail</b> .....	STANAG 4694
<b>Sights</b> .....	Fixed: Fiber Optic Front, Black-Out Rear – U-Notch
<b>Safety Devices</b> .....	Trigger Safety Blade, Trigger Safety Plunger, Striker Block
<b>Trigger Type</b> .....	Metal Construction, Straight Pull w/Integral Safety Blade

# 2.0 MECHANICAL CHARACTERISTICS & OPERATION

## 2.1 PARTS LIST AND EXPLODED VIEWS



Figure 03:  
Basic Parts



## 2.2 DESCRIPTION OF FIREARM

The DANIEL H9 is a recoil-operated, semi-automatic handgun chambered in 9x19mm, which fires from a locked and closed breech. Each press of the trigger fires one round of ammunition until the magazine is expended. Once the last round has been fired, the slide will remain in a locked-open position.

## 2.3 PRINCIPAL FEATURES

The trigger safety blade, trigger safety plunger, disconnecter, and striker block lever of this handgun all contribute to safer carry while also allowing for the handgun to be readily deployed and fired without the need to actuate a manual safety.

The magazine catch is user-configurable to operate on either the right or left side of the handgun in order to accommodate user preferences. All other controls are designed to be ambidextrous.

An aluminum grip provides rigidity for a stable shooting base without the excess weight of steel. Textured G10 grip panels and lower backstrap, in conjunction with the front strap, provide a secure hold on the handgun during operation.

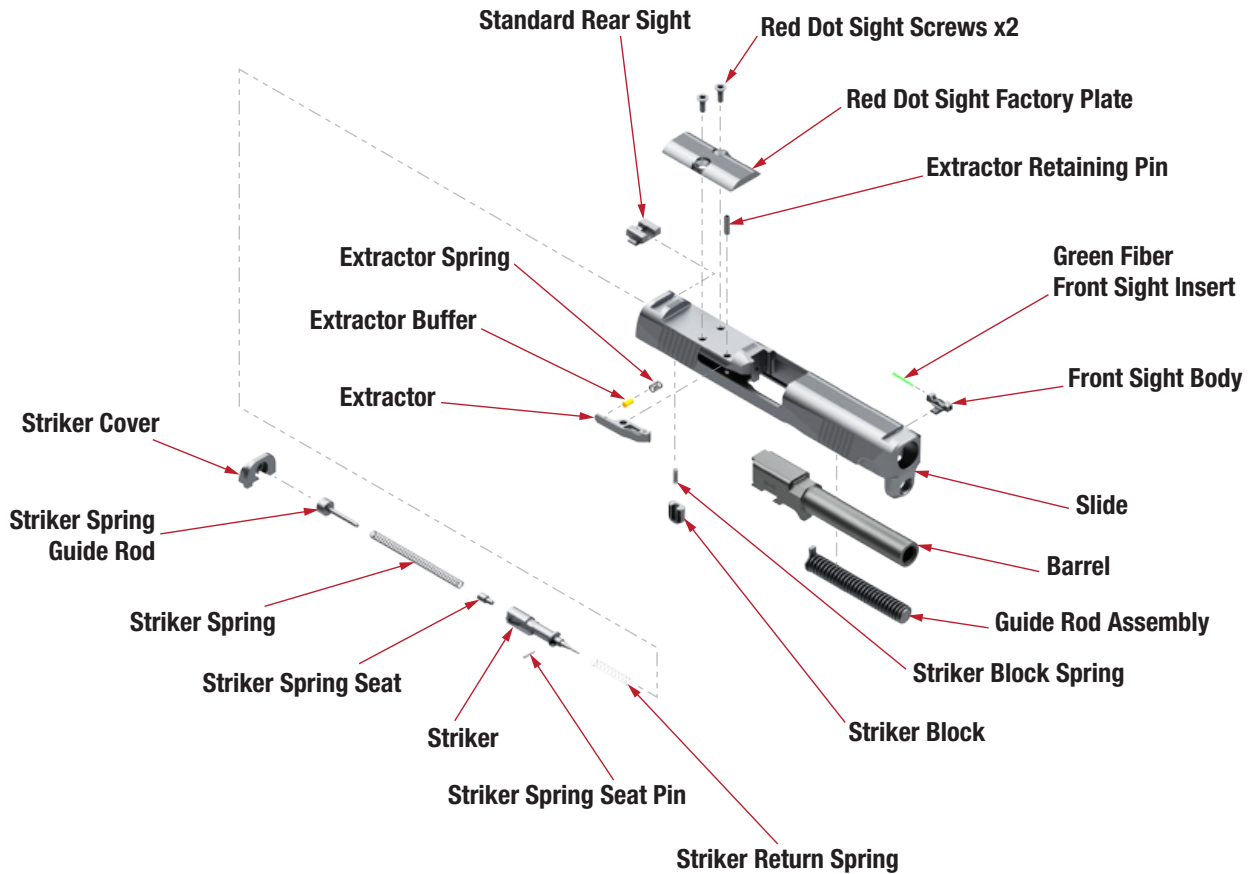
A STANAG rail section on the lower portion of the firearm, forward of the trigger guard, is integrated into the grip for the attachment of compatible tactical accessories such as lights and laser sights.

## 2.4 PARTS ILLUSTRATIONS & LISTS

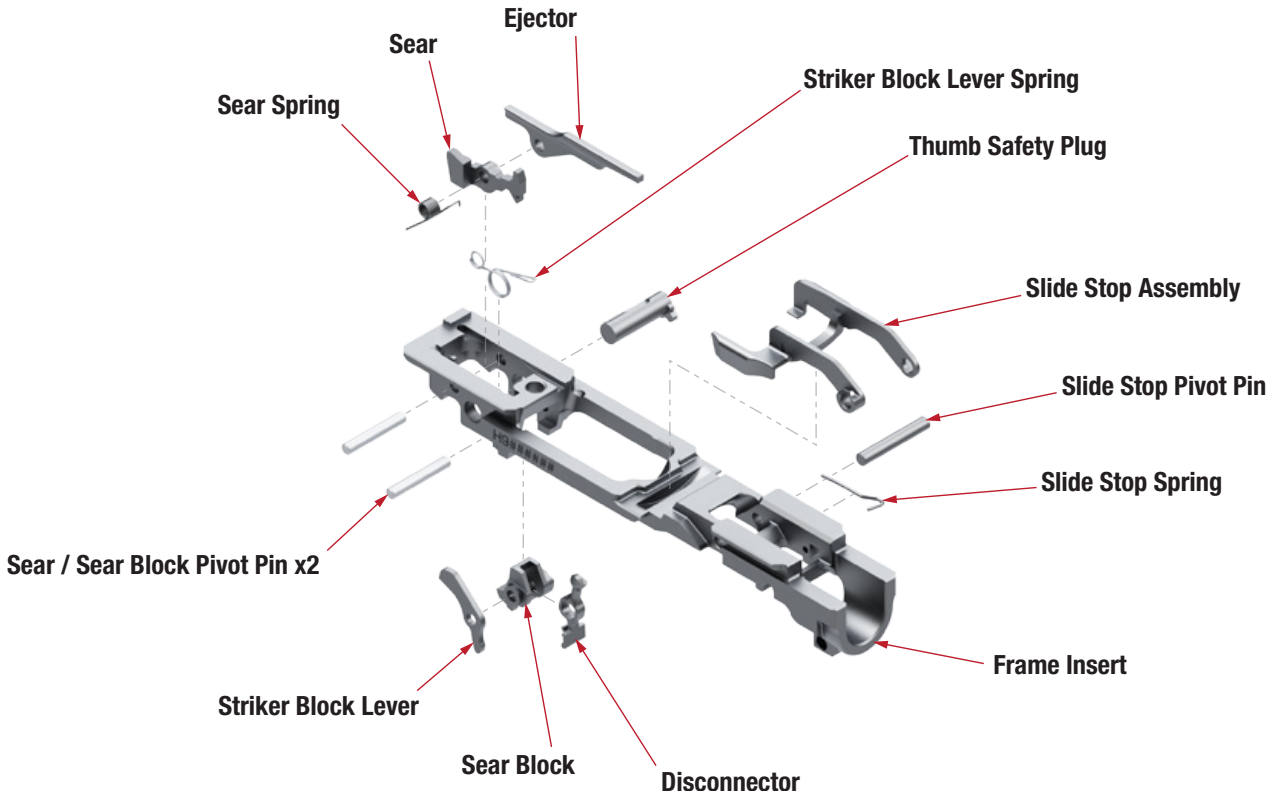
Figure 04:  
Grip Assembly Exploded



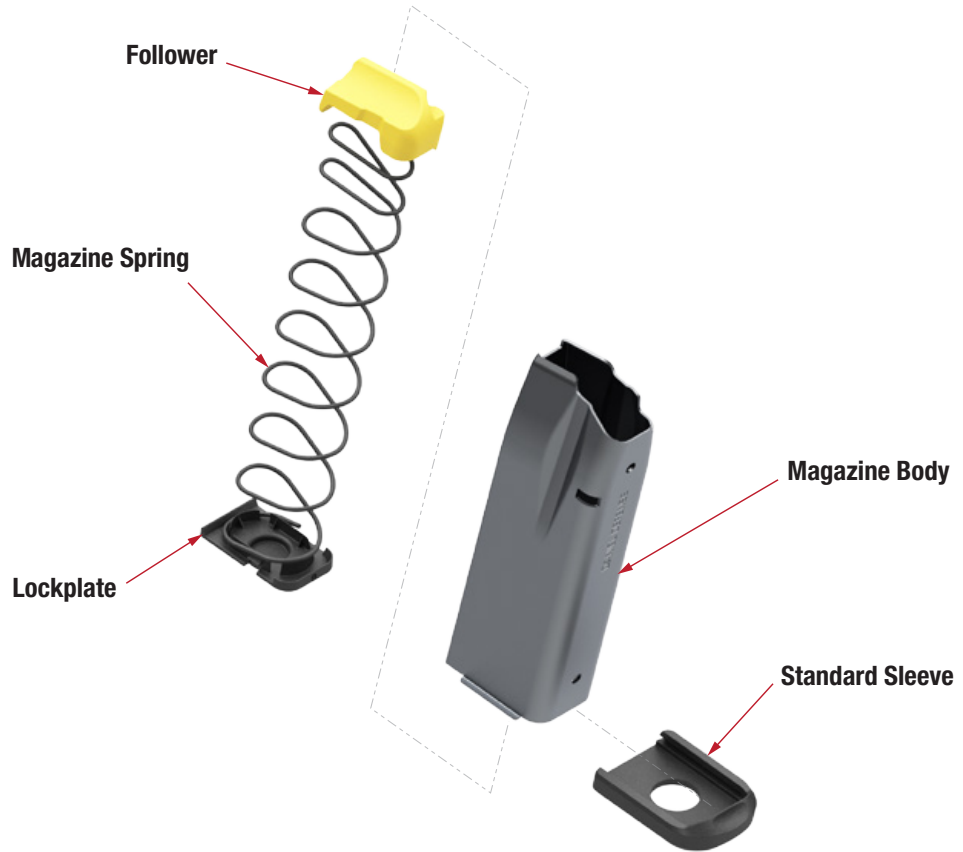
**Figure 05:**  
Slide Assembly Exploded



**Figure 06:**  
Frame Insert Assembly Exploded



**Figure 07:**  
Magazine Assembly Exploded



## 3.0 MAIN COMPONENTS & OPERATOR CONTROL

The DANIEL H9 is designed for intuitive operation and ease of use. The operator should be familiar with the following maneuvers:

- Opening the Slide
- Locking the Slide Back
- Releasing the Slide from a Locked-Back Position
- Ensuring the Handgun is Safe to Operate
- Loading the Magazine
- Loading the Handgun
- Unloading the Handgun
- Aiming the Handgun
- Firing the Handgun



## 3.1 OPENING THE SLIDE

With one hand on the grip, no finger on the trigger, and one hand on the slide, pull the slide all the way back.

1. If there is no magazine in the DANIEL H9, then the slide will cycle to a closed and locked position when released.
2. If there is an empty magazine in the DANIEL H9, then the slide will be locked in the rearward position by the slide stop when released.
3. If there is a loaded magazine in the DANIEL H9, then the slide will cycle to a closed and locked position, chambering a round into the barrel. The handgun will then be ready to fire.

## 3.2 LOCKING THE SLIDE BACK

To lock the slide back to an open position without a magazine present in the handgun:

1. Open the slide fully back and hold it in position.
2. Push the slide stop lever up and hold it in position.
3. Release the slide to lock it against the slide stop lever; the DANIEL H9 is now locked open.

To lock the slide back to an open position with an empty magazine present in the handgun:

1. Open the slide fully rearward and hold it in position.

2. Release the slide and it will rest against the slide stop shelf in the magazine follower.
3. The magazine can be removed from the handgun and the slide will remain locked open.

### 3.3 RELEASING THE SLIDE FROM A LOCKED-BACK POSITION

Release the slide with no magazine in the handgun.

1. With one hand on the slide and one hand on the grip, pull the slide fully back and release it, allowing it to return to the fully forward position.
2. Press the slide stop lever down to release the slide.

Release the slide with a loaded magazine.

**⚠ WARNING** DO NOT SLOW THE SLIDE DOWN BY LOCKING IT CLOSED BY HAND (SOMETIMES REFERRED TO AS RIDING THE SLIDE). DOING SO MAY RESULT IN A CONDITION WHERE THE ROUND WILL NOT BE FULLY SEATED INTO THE CHAMBER AND MAY RESULT IN A MALFUNCTION OR USER INJURY.

1. With one hand on the slide and one hand on the grip, pull the slide fully back and release it, allowing it to chamber a round. The gun is now loaded and ready to fire.
2. Press down the slide stop lever to release the slide.



## 3.4 ENSURING THE HANDGUN IS SAFE TO OPERATE

**NOTICE** Knowing your handgun, along with proper cleaning and maintenance, is the best way to ensure proper function and reliable, safe operation of your DANIEL H9.

To ensure the handgun is safe to operate follow these steps:

1. Remove the magazine.
2. Lock the slide to the open position.
3. Visually inspect the chamber to ensure it is not loaded.
4. Close the slide to verify it smoothly cycles shut.
5. Dry-fire the handgun to verify operation of the striker.
6. Manually cycle the slide fully rearwards and release it to re-cock the firing mechanism and dry-fire the gun again to verify functionality.
7. Visually and manually inspect for loose components on the handgun and secure as required.
8. Visually inspect the magazine to ensure components are aligned and the magazine is in proper working order.

## 3.5 LOADING THE MAGAZINE

**⚠ WARNING** THE DANIEL H9 IS CHAMBERED FOR 9X19MM AMMUNITION. USE ONLY COMMERCIALY MANUFACTURED AMMUNITION MARKED 9X19MM, 9 MM LUGER, OR 9 MM PARABELLUM. FAILURE TO USE THE PROPER AMMUNITION MAY RESULT IN HANDGUN MALFUNCTION, DAMAGE TO THE HANDGUN, USER INJURY, OR DEATH.

1. Press down on the magazine-follower by using the cartridge case rim. Ensure that the bullet is facing the front of the magazine.
2. Push the round to the rear and under the magazine feed lips.
3. Repeat the process until the magazine is fully loaded.

## 3.6 LOADING THE HANDGUN

1. Ensure the muzzle of the DANIEL H9 is pointed in a safe direction.
2. Pull the slide fully back and lock it to the rear using the slide stop lever.
3. Visually and physically inspect the chamber to ensure it is clear.
4. Inspect breech face and magazine well for any foreign debris.
5. Insert a loaded magazine, pushing it up into the grip until it locks in place. You should hear an audible click.
6. Release the slide to chamber a round.

## 3.7 UNLOADING THE HANDGUN

The DANIEL H9 can be safely unloaded at any time by the operator through the following steps:

- If there is a round in the chamber:
  1. Release the magazine from the handgun by depressing the magazine catch button.
  2. Manually pull the slide back to its rearward position and lock it in place using the slide stop lever. If there is a round in the chamber, this action will extract the round and keep the handgun in a safe condition.
- If there is no round in the chamber, follow the same steps to safely unload the handgun.

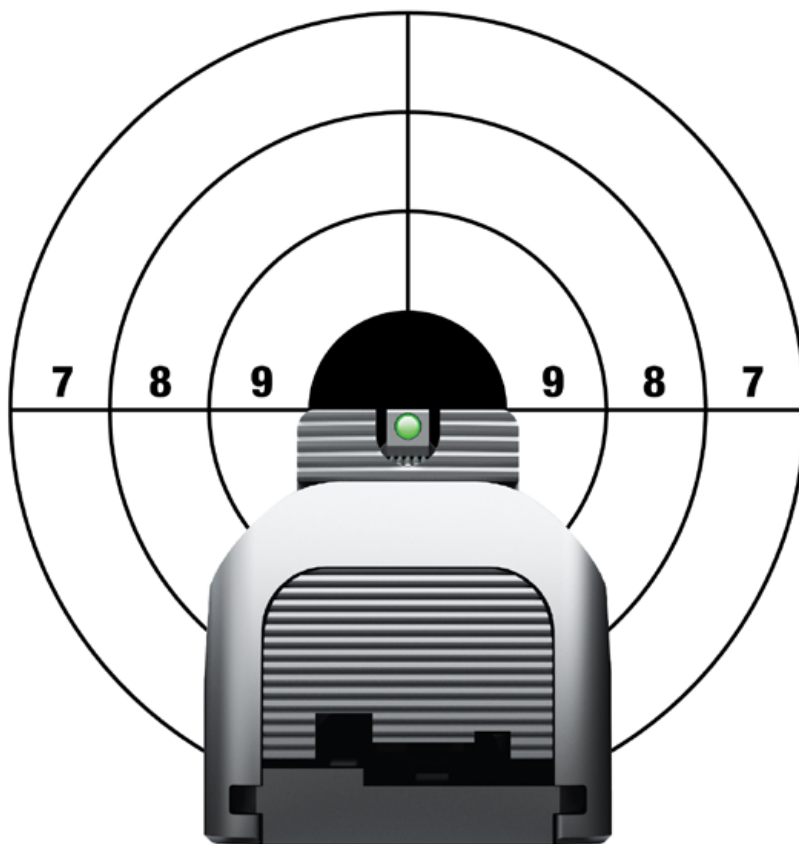
## 3.8 AIMING THE HANDGUN

1. Grip the handgun firmly with one or both hands while facing the intended target.
2. Align the front and rear sights with respect to the target (**Figure 08**).

## 3.9 FIRING THE HANDGUN

When you are ready to fire the DANIEL H9, follow these steps:

1. Depress the trigger assembly until the trigger safety blade is flush with the face of the trigger. This action unlocks the trigger.
2. Continue depressing the trigger until the DANIEL H9 discharges a round. The firearm will automatically expel the spent case, reset the firing mechanism, and chamber a new round.
3. Allow the trigger to move forward until it resets. Repeat the above steps until you no longer wish to fire or the magazine has been emptied.



—  
**Figure 08:**  
Front and Rear Sight Alignment  
with the Target

# 4.0 HANDLING

## 4.1 MAKING YOUR DANIEL H9 READY TO FIRE

### From a Closed Slide

1. Insert a loaded magazine into the magazine well of the grip.
2. Manually pull the slide to its rearward-most position. The slide will be in tension from the recoil spring. This action performs the following functions:
  - The sear is rotated.
  - The sear block is rotated to a cocked position.
  - The disconnecter is in a disconnected state.
3. Release the slide by letting go of it and allowing the recoil spring to move it into battery. This action performs the following functions:
  - The sear rests on sear block.
  - The striker is held in a rearward position under spring pressure by the sear.
  - The disconnecter moves into a connected state.
  - The barrel is locked against the slide lock.
  - A round is chambered.

The DANIEL H9 is now in ready-to-fire condition.

## **From an Open Slide**

Insert a loaded magazine into the grip's magazine well. If reloading from a depleted magazine, the empty magazine will have to be ejected from the magazine well **(see Section 3.7)** prior to inserting the loaded magazine.

- There are two options to return the slide to battery:
  1. Manually pull the slide to its rearward-most position and release it; the slide will be in tension from the recoil spring.
  2. Use the slide stop lever **(see Section 4.3)** to release the slide.

The DANIEL H9 is now in ready-to-fire condition.

## 4.2 FIRING / ACTION

The DANIEL H9 action is based on a reciprocating slide, Browning-style tilting barrel, self-loading operation.

**⚠ WARNING** USERS OF THIS OR ANY AUTO-LOADING HANDGUN MUST ALWAYS REMEMBER THAT, WHEN FIRED, A NEW ROUND IS AUTOMATICALLY RELOADED, AND THE FIRING MECHANISM RESETS, SO PULLING THE TRIGGER WILL DISCHARGE ANOTHER ROUND. THEREFORE, USERS OF AUTO-LOADING HANDGUNS MUST ALWAYS BE CONSCIOUS OF WHERE THE MUZZLE IS POINTED AND ALWAYS KEEP IT POINTED IN A SAFE DIRECTION.

## 4.3 SLIDE STOP

The slide stop is an ambidextrous control used to hold and release the slide of the DANIEL H9. The slide stop will hold the slide in the “open” retracted position under the following conditions:

- When the last round in a magazine is fired or an unloaded magazine is inserted into the magazine well and the slide is manually retracted back to its full rearward position and released.
- If the handgun does not have a magazine inserted into the magazine well, then the slide can be manually retracted to its rearward-most position, and the slide stop can be manually raised to hold the slide in place.



- If a loaded magazine is inserted into the handgun when the slide is closed, and the slide is then retracted fully, the slide stop will not automatically hold the slide open and will load a round from the magazine once the slide returns forward.
- Unless there is an empty magazine in the handgun, the slide stop can be released by drawing back slightly on the slide. When the slide is released, it will move forward under pressure from the recoil spring.

**⚠ WARNING** THE SLIDE STOP IS SPRING-LOADED DOWNWARD. THEREFORE, WHEN THERE IS A LOADED MAGAZINE IN PLACE AND THE HANDGUN IS JARRED, THE SLIDE MAY RETURN FORWARD AND CHAMBER A ROUND. FOR THIS REASON, AND AS AN ESSENTIAL SAFETY PRACTICE, ALWAYS BE CAREFUL TO KEEP FINGERS AWAY FROM THE TRIGGER, AND ALWAYS KEEP THE HANDGUN MUZZLE POINTED IN A SAFE DIRECTION.

## 4.4 MAGAZINE

Use only approved DANIEL H9 magazines designated for this firearm. The use of incorrect magazines in the DANIEL H9 handgun may result in malfunctions and will void your warranty.

Once you have read and understand all of the safety instruction in this manual, and you have obtained the proper ammunition, you are ready to use the handgun.

## 4.5 OPERATING THE TRIGGER SAFETY

Like many modern handguns, your DANIEL H9 is designed without a manual safety. Therefore, you must consider it to be loaded and ready to fire until you have removed the magazine and visually and physically (with your finger) confirmed that the chamber is empty. To fire the gun, depress the trigger safety blade as part of the action to release the trigger.

**NOTE:** For instruction on how to Load the Magazine, refer to Section 3.5.

**NOTE:** For instruction on how to Load the Handgun, refer to Section 3.6.



**Figure 09:**  
Trigger Safety Blade

## 4.6 LOADING THE HANDGUN

Refer to **Section 3.6** Loading the Handgun

1. Ensure the muzzle of the DANIEL H9 is pointed in a safe direction.
2. Pull the slide fully back and lock it to the rear using the slide stop lever.
3. Visually and physically inspect the chamber to ensure that it is clear.
4. Inspect breech face and magazine well for any foreign debris.
5. Insert a loaded magazine, pushing it up into the grip until it locks in place. You should hear an audible click.
6. Release the slide to chamber a round.

The handgun is now loaded and ready to fire.

## 5.0 FIRING

**⚠️ WARNING** BEFORE FIRING THE DANIEL H9, READ CAREFULLY THE SAFETY WARNINGS SET OUT ON PAGES 4 – 5 OF THIS MANUAL.

**⚠️ WARNING** NEVER TOUCH THE TRIGGER UNTIL YOU ARE ACTUALLY READY TO FIRE THE HANDGUN.

**⚠️ WARNING** ALWAYS KEEP THE MUZZLE OF YOUR FIREARM POINTED IN A SAFE DIRECTION, EVEN IF YOU ARE CERTAIN IT IS UNLOADED.

**Keep** the muzzle pointed in a safe direction and your finger away from the trigger when loading and cocking any firearm. Keeping your trigger finger pointed forward, toward the front sight, and under the slide firmly against the handgun is considered a safe position for your finger until you're ready to fire.

**Never** fire any firearm with your finger, hand, face, or other part of your body over or adjacent to the ejection port or in any other position where you may be struck by reciprocating movement of the slide. Both the ejection of empty cartridge cases and the movement of the slide are part of the normal operating cycle of firearms and pose no safety hazard to the shooter if the firearm is held in a normal grip and fired at arm's length.

**Never** allow other people to stand beside you, where they could be struck by an ejected cartridge case. The case will be hot and may eject with sufficient force to cause a burn, cut, or other injury. Wear safety glasses to protect your eyes. Make certain there is a clear,

unobstructed path for safe ejection of the fired cartridge case to prevent ricochet off a nearby object and striking you or a bystander.

If, while shooting, your firearm develops a mechanical malfunction, binds up or “spits” powder or gas, or the audio report on firing does not sound right, **STOP SHOOTING IMMEDIATELY! It may be unsafe to continue firing. UNLOAD THE FIREARM RIGHT THEN AND THERE – DO NOT** take one more shot. Before firing again, follow the procedures outlined in the **section 5.4 on page 45**.

## 5.1 FIRING THE HANDGUN

To fire the handgun, insert the magazine into the magazine well of the handgun and load a round into the chamber.

Being careful not to place your finger on the trigger or inside the trigger guard until you are ready to fire, aim the handgun at your intended target. Refer to **Figure 08** for sight alignment to the target.

**When you are ready to fire**, place your trigger finger inside the trigger guard. Press the trigger, being careful not to upset the alignment of the front and rear sights. **THE HANDGUN WILL FIRE.** The discharge will force the slide and barrel to the rear, which will, in turn, eject the fired case, reset the striker, and compress the recoil spring. The slide will then close, feeding the next round from the magazine into the chamber.

Once the last round has been fired, the slide will remain open. To resume shooting, remove the empty magazine and insert a loaded magazine. Push the slide stop lever down or pull the slide fully back and release to load a cartridge into the chamber. The handgun is now ready to shoot again. When you have completed shooting, remove the magazine, check that the firing chamber is empty (**see UNLOADING in Section 5.5**) and close the slide by pushing the slide stop lever.

## 5.2 DRY FIRING AND DUMMY ROUNDS

Dry firing is defined as firing a firearm with no ammunition in the chamber. Occasional dry firing of your DANIEL H9 is acceptable. However, regular dry firing your handgun for practice or training may result in premature wear to the striker. Inert chamber “rounds” or “dummy rounds” that allow a firearm to be dry-fired without damaging the firing pin are commercially available for those who wish to practice firing without live ammunition.

**⚠ WARNING** ALWAYS KEEP THE MUZZLE OF YOUR FIREARM POINTED IN A SAFE DIRECTION, EVEN IF YOU ARE CERTAIN IT IS UNLOADED.

**⚠ WARNING** STORE INERT CHAMBER ROUNDS AND DUMMY ROUNDS SEPARATELY FROM LOADED AMMUNITION TO AVOID UNINTENDED FIRING OF THE HANDGUN. FAILURE TO FOLLOW THIS WARNING MAY RESULT IN SERIOUS INJURY OR DEATH.

**NOTICE** “Dummy rounds” with empty primer pockets are suitable for loading/unloading practice and some training activities but do not protect the striker during dry firing.

## 5.3 RELOADING DURING SHOOTING

Upon firing the last round in the handgun, the empty magazine will engage the slide stop lever and lock the slide in the open position. To remove the empty magazine and insert a loaded magazine:

1. Press the magazine catch to release the empty magazine.
2. Insert a loaded magazine by pushing it up and into the magazine well until it locks into place. You should hear an audible click.
3. To chamber a round, release the slide by either pressing down on the slide stop lever or pulling back on the slide until the slide stop lever drops clear of the slide, releasing the slide. Do not ride or ease the slide closed; allow it to close with the full energy of the returning slide.

## 5.4 STOPPAGES

### PROCEDURES IN CASE OF HANDGUN STOPPAGE

**Immediately follow these procedures if:**

- You notice that a cartridge is difficult to chamber.
- A cartridge does not fire.
- The extractor fails to extract a fired cartridge case.
- You discover unburned grains of propellant powder spilled in the fire control assembly.
- A shot sounds or feels weak or abnormal.
- The pistol does not eject or partially eject a spent cartridge.

## LIVE ROUND DOES NOT EJECT - UNLOAD/CLEARING THE HANDGUN

**Firearms work reliably if properly maintained, but if there is a stoppage during firing:**

1. Keep the handgun pointed in a safe direction with your finger off the trigger.
2. Remove and secure the magazine.
3. Cycle the slide rearward and forward to clear any live cartridges or expended cases in or near the chamber. Visually and physically inspect the breech face and chamber.
4. If you suspect that a bullet is lodged in the bore, field strip your handgun and check to see if the barrel is obstructed. If there is a bullet lodged in the bore, return the handgun to Daniel Defense.

**⚠ WARNING** IN THE EVENT OF A “SQUIB” LOAD, STOP FIRING IMMEDIATELY AND KEEP THE HANDGUN POINTED IN A SAFE DIRECTION.

A “squib” load occurs when a bullet is not fired with sufficient energy to leave the barrel and may create a dangerous obstruction. If a squib load has occurred, keep the firearm pointed in a safe direction. If this occurs, lock the slide in the rearward position and clear the firearm. Then, make sure the bore is clear. Any unburned propellant or obstruction in the bore must be removed before firing again to prevent risk of damage and injury.



**⚠ WARNING** IF YOUR FIREARM FAILS TO FIRE, HOLD IT, KEEPING IT POINTED TOWARD THE TARGET AND WAIT (1) FULL MINUTE. IF A HANGFIRE (SLOW IGNITION) HAS OCCURRED, THE ROUND SHOULD FIRE WITHIN (1) MINUTE.

After one (1) full minute has elapsed, completely unload the firearm by following the UNLOADING instructions in this manual. If possible, save the cartridge casings from the first fired rounds and carefully inspect your ammunition. Immediately consult with a qualified gunsmith if the striker indent on a fired cartridge's primer is light, off-center, or does not exist. Following the DISASSEMBLY instructions (**page 56**) in this manual, field strip the handgun and, with the firearm pointed in a SAFE direction, look down the barrel to make sure no obstruction exists. If a barrel obstruction is detected, a qualified gunsmith must remove the obstruction and inspect the handgun before it can be fired again.

**⚠ WARNING** IF A BULLET IS STUCK IN THE BORE, CAUSING A BARREL OBSTRUCTION, NEVER ATTEMPT TO SHOOT IT OUT BY USING ANOTHER CARTRIDGE OR BY BLOWING IT OUT WITH A BLANK OR A CARTRIDGE FROM WHICH THE BULLET HAS BEEN REMOVED. THIS MAY GENERATE EXCESSIVE PRESSURE, DAMAGE THE FIREARM, AND/OR CAUSE SERIOUS PERSONAL INJURY OR DEATH TO YOURSELF OR OTHERS.

Stoppage	Cause	Correction
<b>Failure to Feed</b>		
No round fed into the chamber	Magazine is not properly inserted or magazine is deformed or dirty	Insert magazine properly or change magazine
Slide does not close easily or completely	Handgun or cartridge is fouled (dirty) or handgun is too heavily lubricated	Clean and properly lubricate handgun and/or replace the ammunition
	Worn springs	Replace recoil spring assembly
	Incorrect ammunition	Replace ammunition
	Handgun requires service	Refer to maintenance schedule before returning to Daniel Defense
<b>Failure to Extract or Eject</b>		
After firing, the case stays in the chamber or is jammed in the ejection port	Insufficient recoil due to dirt	Clean and properly lubricate the handgun
	Light hold or limp wrist	Solid grip, rigid hold
	Low-powered ammunition	Change ammunition
	Handgun requires service	Return to Daniel Defense
<b>Failure to Fire</b>		
Striker releases but round does not fire. <b>In case of hangfire, wait 1 minute with muzzle pointed at the target, then manually cycle in next round</b>	Faulty ammunition	In case of a hangfire, wait 1 minute with muzzle pointed at the target, then manually cycle in next round
	Firing pin obstructed	Inspect, clean and properly lubricate the handgun
	Handgun requires service	Return to Daniel Defense

## MINIMIZING STOPPAGES

Stoppages can largely be avoided by properly cleaning and lubricating the DANIEL H9 (**Section 7.5**). Cleaning and lubricating your handgun after each range session will reduce the chances of a stoppage due to dirt and residue buildup. Perform maintenance if the firearm is exposed to extreme environmental conditions (rain, snow, freezing temperatures, etc.). Periodically inspect the handgun if it is stored for extended periods without use. Many stoppages are directly related to the magazine. Maintain your magazines as well as the firearm.

## 5.5 UNLOADING THE HANDGUN

**⚠ WARNING** WHEN THERE IS A CARTRIDGE IN THE CHAMBER, THE CARTRIDGE WILL DISCHARGE IF THE TRIGGER IS PRESSED. IT IS ABSOLUTELY ESSENTIAL FOR THE USER TO KNOW HOW TO COMPLETELY UNLOAD THE HANDGUN. “COMPLETELY” MEANS EMPTYING THE MAGAZINE AND REMOVING A CHAMBERED CARTRIDGE. REMOVING THE MAGAZINE FROM THE HANDGUN DOES NOT PREVENT IT FROM BEING FIRED. A HANDGUN WILL FIRE A CHAMBERED CARTRIDGE EVEN WITH MAGAZINE REMOVED.

1. Always make sure the muzzle is pointed in a safe direction! Remember to clear the chamber after the magazine has been removed.
2. Never assume that any firearm is unloaded until you have personally checked it visually and physically!
3. After every range session, make a final check to be certain the firearm is unloaded before leaving the range.

**NOTE:** For instruction on how to Load the Magazine, refer to Section 3.5.

## 5.6 OPERATING THE SLIDE STOP LEVER

The DANIEL H9 comes with the standard ambidextrous slide stop lever, which has slim features for concealed carry.

Once you've reloaded and are ready to resume shooting, the slide stop can be disengaged by pushing down on the slide stop lever or by pulling the slide to the rear and releasing it. Either action loads a new round from the magazine into the chamber, making the handgun ready to fire (**Figure 10**).



**Figure 10:**  
Slide Stop Lever Operation

# 6.0 HANDGUN ADJUSTMENTS

## 6.1 GENERAL INFORMATION

The DANIEL H9 is designed for both right- and left-handed operation and a variety of hand sizes. The ambidextrous slide stop lever can be operated from either side. The magazine-catch button may be repositioned to either side based on shooter preference (See page 53).

## 6.2 MAGAZINE-CATCH BUTTON REMOVAL AND REVERSAL

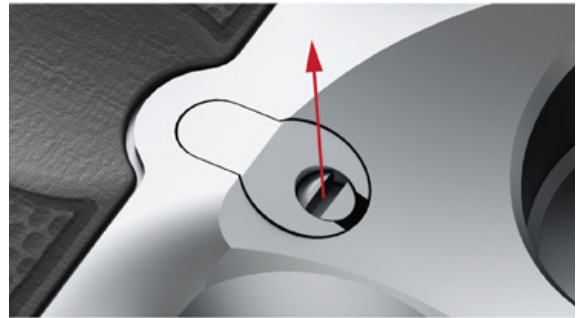
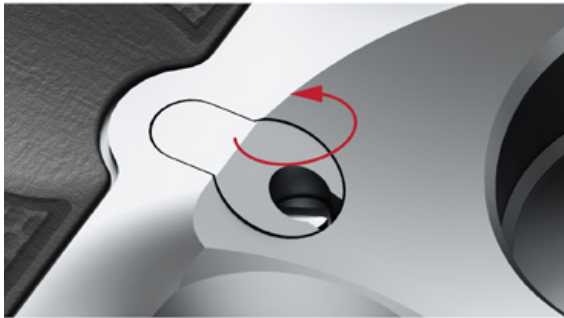
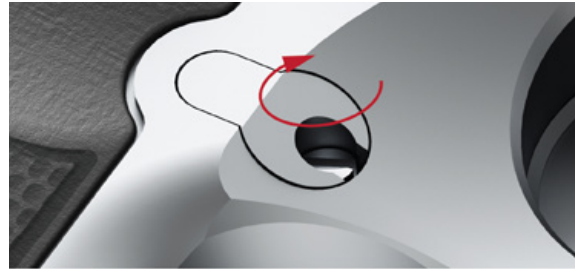
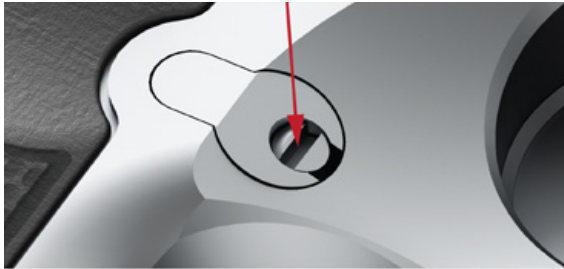


**⚠ WARNING** USERS OF THIS OR ANY AUTO-LOADING HANDGUN MUST ALWAYS REMEMBER THAT, WHEN FIRED, A NEW ROUND IS AUTOMATICALLY RELOADED, AND THE FIRING MECHANISM RESETS, SO PULLING THE TRIGGER WILL DISCHARGE ANOTHER ROUND. THEREFORE, USERS OF AUTO-LOADING HANDGUNS MUST ALWAYS BE CONSCIOUS OF WHERE THE MUZZLE IS POINTED AND ALWAYS KEEP IT POINTED IN A SAFE DIRECTION.

1. Using a small, flathead screwdriver, push in and twist the magazine-catch lock counter-clockwise until you feel the magazine-catch assembly come loose.
2. Remove the magazine-catch assembly from the side the magazine-catch lock is on (Figure 11).

***NOTE: The magazine-catch assembly will require slight rotations in order to remove the assembly from the grip.***

3. To replace the magazine-catch assembly, insert the magazine-catch button toward the side of the grip you would like the button to be on.
4. To lock the magazine-catch assembly in place, using a flathead screwdriver, rotate the magazine-catch lock clockwise until you feel the magazine-catch lock “pop” in place (**Figure 12**).



**Figure 11:**  
Magazine-Catch Lock

**Figure 12:**  
Action Arrows Required Showing  
Magazine-Catch Lock Installation



—  
**Figure 13a:**  
Magazine-Catch Removal



—  
**Figure 13b:**  
Magazine-Catch Opposite  
Side Installation

## 6.3 FACTORY SIGHTS

*NOTE: The DANIEL H9 slide is designed to accommodate Sig Sauer P-Series sights.*

*NOTE: The DANIEL H9 is zeroed from the factory at 25 yards. The sights are not user adjustable.*

## 6.4 CHOOSING AND INSTALLING THE RDS PLATES

### Red Dot Sight (RDS) Compatibility

The DANIEL H9 was designed to work with an assortment of popular red dot sights.

**RDS Plate #1** (Part# 49-013-15229)

- Shield Standard

**RSD Plate #2** (49-013-16084)

- Trijicon RMR/SRO Compatible

**RDS Plate #3** (49-013-16233)

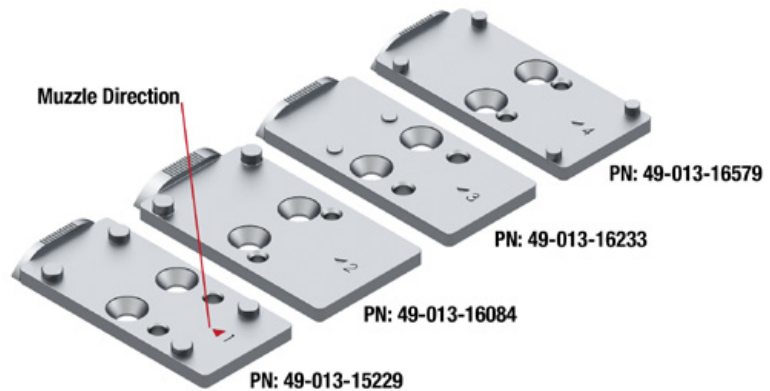
- C-More STD

**RDS Plate #4** (49-013-16579)

- Docter/Noblex STD



**Figure 14:**  
Red Dot Sight Plates



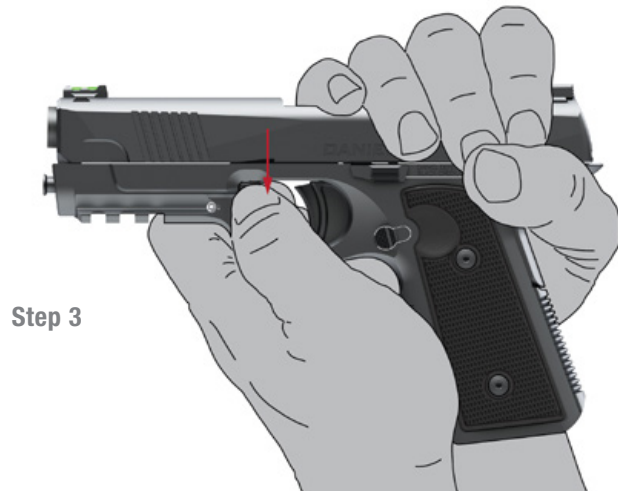
### **RDS Adapter Plate Installation**

1. Remove two (2) factory screws using a T-15 Torx Plus Driver, and place to the side.
2. Remove the RDS Factory Plate.
3. Place the RDS adapter plate onto the slide with the alignment arrow facing the muzzle.
4. Fasten the adapter plate to the slide using the (2) T-15 Torx Plus factory screws. Add one (1) drop of Loctite Threadlocker 242 (or equivalent) directly onto the threads of the screw and torque to 12 in/lbs.
5. Attach the red dot sight to the adapter plate with the RDS factory-supplied screws and torque to optic manufacturer's specification.

# 7.0 MAINTENANCE

## 7.1 HANDGUN DISASSEMBLY – FIELD STRIP

1. Ensure that the DANIEL H9 is free of ammunition in and around the gun. If inserted, remove the magazine and verify that the chamber is empty. Keep loaded magazines and loose ammunition away from your work area.
2. Dry fire the handgun.
3. With one hand, establish a grip on the gun in order to move the slide back by ¼ inch (**Figure 15**).
  - Wrap your thumb around the back of the grip at the curve of the upper backstrap.
  - Wrap your four fingers around the top of the slide (see Step 1 on next page).
  - With a firm grip, pull the slide back and hold it in place – only pull back the slide ¼" (see Step 2 on next page).
4. With your other hand, pull the slide lock down and hold it in place (see Step 3 on next page).
  - Note that the slide lock is under spring tension and it must be pulled down all the way.
5. Slowly release the slide and allow it to move free of the frame insert and grip.
6. Hold the slide upside down so that the recoil spring is facing you.



**Figure 15**  
Handgun Disassembly

7. Apply pressure to the recoil spring guide assembly by pressing towards the muzzle end of the gun, then tilt it upwards to free it from the slide assembly (**Figure 16**).
8. To remove the barrel, lift up the chamber end of the barrel to clear the lock-up point on the slide and move the barrel towards the front of the slide, then lift the barrel out of the slide (**Figure 17**).

**Figure 16**  
Recoil Spring Removal



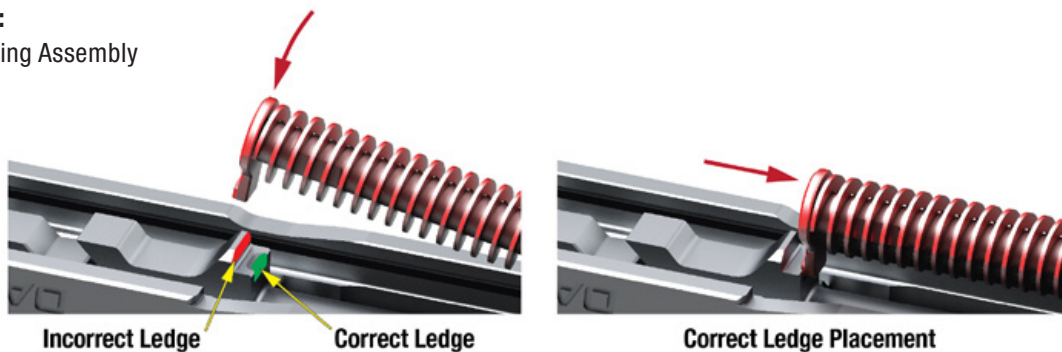
**Figure 17**  
Barrel Removal



## 7.2 HANDGUN ASSEMBLY

1. Ensure the DANIEL H9 is free of ammunition in and around the gun. Keep loaded magazines and loose ammunition away from your work area.
2. Start assembling the DANIEL H9 with the slide upside-down and the underside of the slide facing you.
3. Start installing the barrel by sliding the muzzle of the barrel towards the muzzle-end of the slide. Note that the camming features of the barrel must be facing you for correct barrel orientation. Complete installation of the barrel by moving it towards the breech-end of the slide until the barrel falls into place.
4. To install the recoil guide assembly, seat the front of the assembly into its mount-point on the slide just below the muzzle and apply pressure on the recoil spring guide cap to compress the assembly. Carefully ride the mount tab of the recoil spring guide cap into its mating location in the barrel (Figure 18).

**Figure 18:**  
Recoil Spring Assembly



**NOTICE**

Incorrect installation of the recoil spring guide assembly may cause an internal malfunction of the handgun or a condition in which the gun locks up.

5. Dry fire the grip to ensure the sear has been dropped and will not impede the slide during the reassembly process.
6. With the assembled slide in one hand and the grip assembly in the other hand, place the slide assembly on top of the grip assembly forward of the trigger guard. Ensure the tracks in the slide assembly are aligned with the rails on the frame insert **(Figure 19)**.
7. Smoothly run the slide towards the back of the grip until the slide stops moving and the barrel tilts up.
8. Release the slide and allow it to run forward.
9. Re-rack the slide and dry fire to ensure function of the gun.

—  
**Figure 19:**  
Slide Assembly Installation  
and Alignment



## 7.3 MAGAZINE DISASSEMBLY



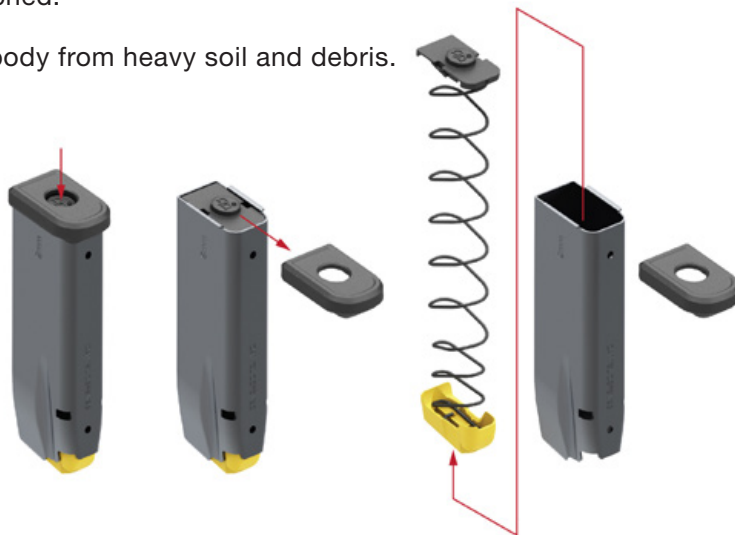
1. Locate the bottom of the magazine baseplate.
2. By hand, depress the magazine lockplate button until it clears the magazine baseplate and hold it down (The magazine lock plate button is identifiable by the “DD.” logo) (**Figure 20**).
3. While holding down the magazine lock plate button, slide the magazine baseplate towards the front of the magazine until it has cleared the magazine body.

***CAUTION: The magazine baseplate and lock plate are under spring tension and control must be maintained on these components during the disassembly process.***

4. Remove the magazine spring from the magazine body with the lock plate and follower remaining attached.

You may now clean the magazine body from heavy soil and debris.

**Figure 20:**  
Magazine Baseplate  
Removal and Magazine  
Disassembly





## 7.4 MAGAZINE ASSEMBLY



1. Insert the magazine spring into the bottom of the magazine body, follower first.

***NOTE: The follower can only be properly inserted facing the front of the magazine body. The follower will not fully seat against the magazine feed lips if it is not correctly oriented prior to insertion.***

2. Depress the magazine lock plate until it is below the base plate rails on the magazine body and hold it in place.
3. Slide the magazine base plate onto the magazine body while ensuring the base plate rails engage the base plate. The magazine base plate will be fully seated when the lock plate clicks into the base plate.

***NOTE: The magazine base plate assembles from the front of the magazine body. If the magazine base plate is assembled from the back of the magazine body, then the base plate will not seat into place.***

4. You may now depress the follower and check for function.

## 7.5 INSPECTION, CLEANING, AND LUBRICATION



Your new DANIEL H9 arrived from the factory properly lubricated and ready to fire. You do not need to clean the handgun before using it for the first time.

**⚠ WARNING** BEFORE CLEANING, FIRST ENSURE THERE IS NO AMMUNITION IN THE CHAMBER OR THE MAGAZINE AND KEEP THE HANDGUN POINTED IN A SAFE DIRECTION!

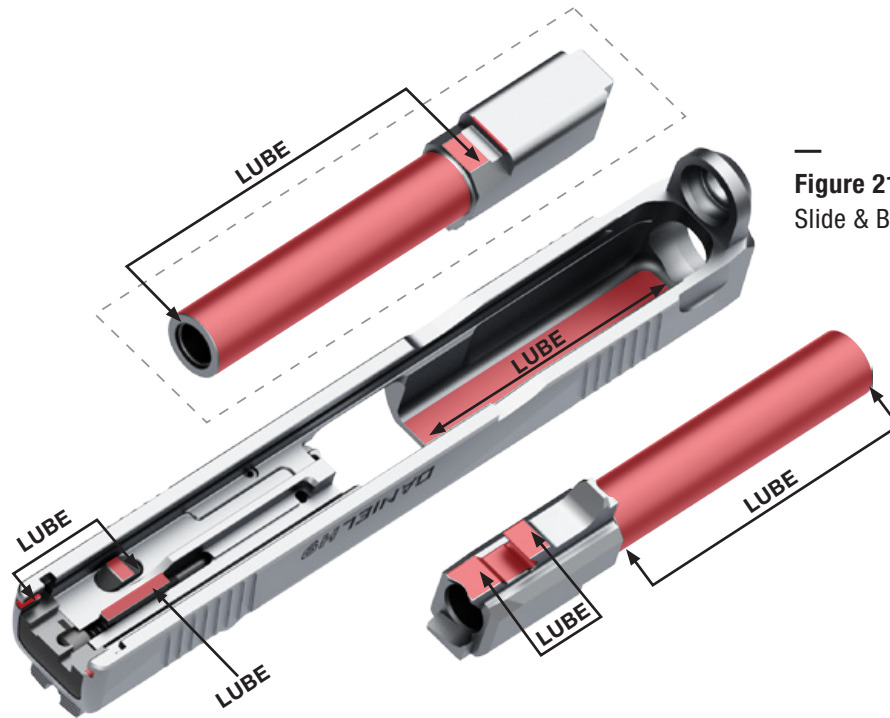
Periodic inspection of any firearm is important to ensure its safe operation. It is important to clean and inspect your firearm after each range session or whenever the handgun has been exposed to sand, dust, debris, moisture, humidity, or other adverse conditions. Proper maintenance increases the longevity of your firearm and will allow early detection of any worn or broken parts.

Visually inspect the firearm and its magazine to ensure no components are damaged, missing, loose, bent, cracked, chipped, or peened. If you observe excessive wear, you should stop using your handgun and contact Daniel Defense Customer Service or a trained, certified gunsmith to evaluate its condition and replace any worn parts if necessary.

To clean the handgun, proceed as follows:

**NOTICE** To avoid damage to the muzzle of the barrel, always run cleaning products through the chamber of the barrel.

1. Disassemble (field strip) the handgun as described in **Section 7.1**.
2. Using a cleaning rod, run an appropriately sized solvent-wetted patch through the bore several times. Then, attach a solvent-wetted brass or nylon bristle brush to a cleaning rod and run it back and forth the full length of the bore as many times as necessary to remove grease and debris from the bore and chamber. Clean bore with dry patches and examine.
3. Using solvent on a clean patch or bristle brush, remove powder residue from all components of the handgun. Pay close attention to cleaning fouling from the claw of the extractor and from the rail cuts in the slide. After cleaning, run a dry patch through the bore, then follow with a patch that is lightly oiled. Wipe all surfaces clean with a clean, dry cloth, then wipe all metal surfaces with a patch or cloth that has been very lightly oiled.
4. Before firing, remove all excess oil and grease from the bore by running a dry patch through the bore, if necessary.



**Figure 21:**  
Slide & Barrel Lube Locations

***NOTE: The DANIEL H9 design, manufacturing processes, and material selection facilitate simple user disassembly and maintenance. The primary construction of the gun is metal with an alloy steel slide, stainless-steel barrel, steel frame insert and fire control components, and an aluminum grip. Coatings are applied to all metal components for performance and corrosion prevention. As with any mechanical system where moving components are present, the DANIEL H9 requires regular cleaning and lubrication to operate at peak performance and reliability. Please review Figures 21-23, which identify the lubrication points on the handgun.***

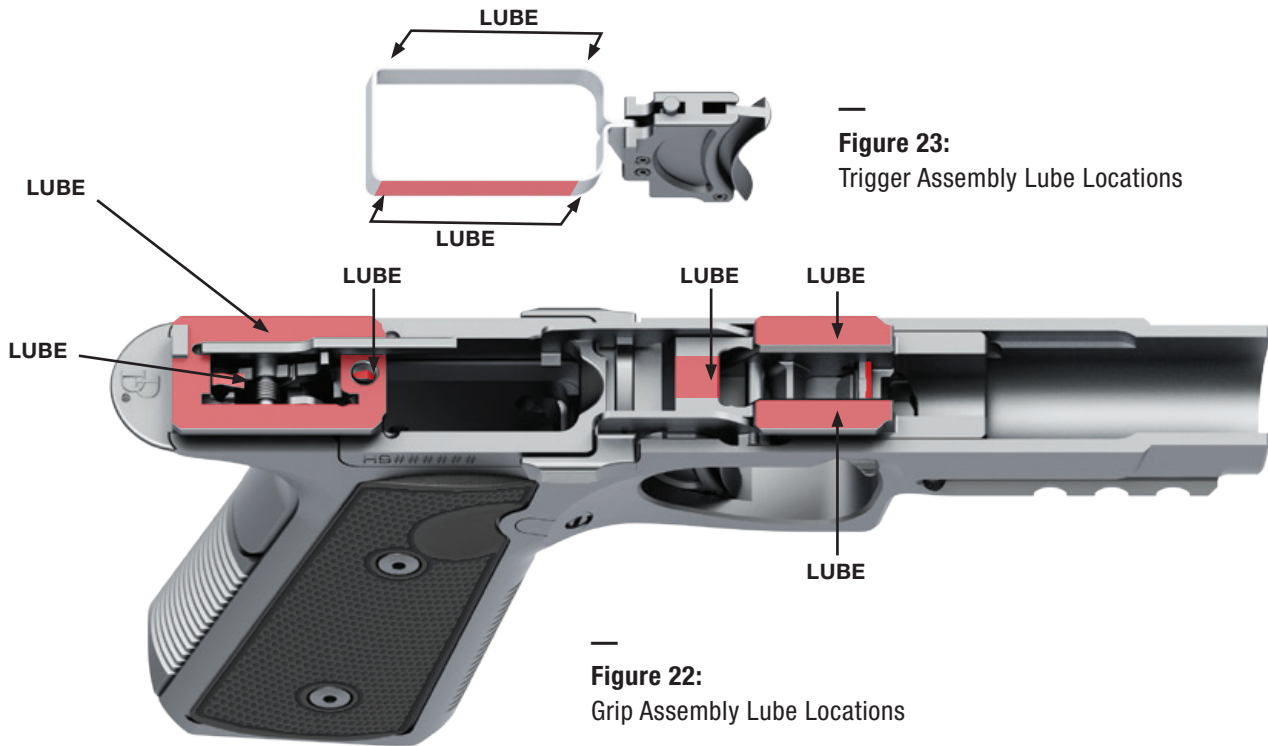


Figure 23:  
Trigger Assembly Lube Locations

Figure 22:  
Grip Assembly Lube Locations

***NOTE: Excess accumulations of oil tend to attract particles of dust, dirt, and debris and may congeal in cold weather, which can interfere with the safe and reliable function of the handgun.***

## 7.6 FUNCTION CHECK

A function check is performed on the assembled handgun to verify functionality. It should be performed after the completion of repairs and after each cleaning and reassembly of the handgun.

- Verify that the magazine is removed. Visually and physically confirm the chamber is unloaded before attempting disassembly or performing any maintenance steps.

**⚠ WARNING** FAILURE TO ENSURE THE FIREARM IS UNLOADED MAY RESULT IN UNINTENTIONAL DISCHARGE, CAUSING INJURY, PROPERTY DAMAGE, AND/OR DEATH.

- Check recoil spring function/slide travel.
  1. Pull the slide back 0.5" and release.
  2. Retract the slide fully and release.
  3. Verify the slide locks fully in the closed position.
  4. Repeat the procedure by pulling the slide back fully.

- Inspect the trigger safety blade.
  1. **Ensure the firearm is unloaded.**
  2. Check the safety blade for smooth and free operation by gently pushing it into the firing position and ensuring it returns fully to its resting position.
  3. Check the safety blade for proper function by pinching either side of the trigger shoe and trying to dry fire the trigger without touching the safety blade. The trigger shoe should not dry fire without the action of the safety blade.
  
- Check the trigger mechanism.
  1. Pull the trigger fully to the rear.
  2. As the trigger is pulled rearward, verify the striker releases.
  
- Check the slide stop lever.
  1. Insert an empty magazine.
  2. Retract the slide fully and release.
  3. Verify the slide is locked to the rear by the slide stop lever.
  4. Depress the slide stop lever.
  5. Verify the slide is released and closes in the locked position.
  6. Remove the magazine.

- Inspect the magazine.
  1. Check the condition of the magazine tube.
  2. Verify the magazine floorplate is secure.
  3. Check for free movement of the magazine follower and spring.
  4. Insert the magazine into the handgun and remove. Verify smooth insertion. Check the magazine-catch button for clean engagement and smooth release.
  
- Inspect the handgun's exterior.
  1. Inspect the general condition of the handgun.
  2. Check the sights, body, slide, and slide lock for damage.
  3. Verify the front and rear sights are secure.

***NOTE: Never use a firearm or magazine that shows signs of damage or fails a function check. Verify the magazine is the correct model and caliber for the handgun. If the condition or function of the handgun or magazine is suspect, return the handgun or magazine to Daniel Defense for evaluation.***



## 7.7 PERIODIC PARTS MAINTENANCE



In order to keep your DANIEL H9 running in peak performance, maintenance is recommended after 5,000 rounds. The following items should be replaced:

- Sear block spring
- Recoil spring guide assembly
- Striker spring seat pin

**⚠ WARNING** BEFORE PERFORMING THE FOLLOWING PERIODIC MAINTENANCE ACTIONS, FIRST, ENSURE THERE IS NO AMMUNITION IN THE CHAMBER OR THE MAGAZINE AND KEEP THE HANDGUN POINTED IN A SAFE DIRECTION!

**⚠ WARNING** THE FOLLOWING MAINTENANCE ITEMS ARE UNDER SPRING TENSION. BE SURE TO WEAR THE APPROPRIATE SAFETY EQUIPMENT, INCLUDING SAFETY EYEWEAR.

### Tools Required:

- T10 Torx driver
- Torque wrench
- 3/32nd punch
- Loctite 243
- Safety eyewear

## Recoil Spring Guide Assembly Replacement

1. Field strip the handgun following the procedure outlined in disassembly in **Section 7.1**.
2. Remove the existing recoil guide assembly.
3. Replace with new recoil guide assembly.
4. Reassemble the handgun per the Handgun Assembly instructions (**Section 7.2**) and perform function check.

## Sear Block Spring Replacement

1. Field strip the handgun following the procedure outlined in **Section 7.1**.
2. Using the T10 Torx driver, remove the grip panel screws and grip panels from the handgun (**Figure 24**).
3. Using the punch, remove the lower backstrap pin.
4. Once the pin has been removed, remove the lower backstrap, then remove the upper backstrap by sliding it down the grip rails.
5. Remove the sear block spring by tilting the gun and dropping the spring out of its perch.

**NOTICE** For the following instructions, keep the muzzle pointed downward while replacing the sear block spring.

6. Take the new sear block spring and place it with its mounting hook into the slot in the grip (**Figure 23**).

***IMPORTANT: The sear block spring has to be installed with the mounting hook first to ensure proper spring engagement with the fire control components.***

7. Lower the leaf spring part of the sear block spring into place.
8. Install the upper backstrap into the grip by aligning the mounting tabs of the upper backstrap to the rail in the grip. Slide into place.
9. Slide the lower backstrap into place by aligning the mounting tabs with the mounting rails in the grip.

***NOTE: As the lower backstrap is pushed into place, you will feel resistance build up as the backstrap engages with the sear block spring.***

**Figure 23:**  
Sear Block Spring Replacement



10. Insert the lower backstrap pin back into place.

***NOTE: If the pin does not reinstall into place smoothly, remove the pin and check the alignment of the upper and lower backstrap.***

11. Function check the handgun by performing the following instructions:

- Cock the handgun.
- Pull the trigger and hold in place.
- With the trigger in place, pull the slide back and release the slide.
- With your finger still on the trigger, slowly release the trigger; you should hear and feel a click in the trigger.
- Remove your finger from the trigger, then visually inspect the trigger safety blade to make sure it returns to the fully forward position.

12. Reinstall grip panels (**Figure 24**):

- Lay the pistol on its side, placing the appropriate grip panel on the side facing you.

***NOTE: Prior to installing grip panel screws, remove any residual thread locking agent.***

- Place a drop of Loctite 243 on the grip panel screw and insert into the grip panel.
- Using the torque wrench with T10 Torx driver, tighten the grip panel screw to 6 inch/pounds (in/lb).
- Repeat process for other grip panel and screws.

**Figure 24:**  
Backstrap & Grip Panel Assembly





**⚠ WARNING** THE FOLLOWING MAINTENANCE ITEMS ARE UNDER SPRING TENSION. BE SURE TO WEAR THE APPROPRIATE SAFETY EQUIPMENT, INCLUDING SAFETY EYEWEAR. READ ALL OF THESE INSTRUCTIONS PRIOR TO ATTEMPTING THE STRIKER SPRING SEAT PIN REMOVAL AND REPLACEMENT.

1. Remove the slide by following the field strip procedure outlined in **Section 7.1** on Page 56.
2. With punch in hand, insert the punch into the pocket above the striker spring guide rod (**Figure 26**).
3. Press down on the striker spring guide rod to remove pressure on the striker cover.
4. While pressing down on the striker spring guide rod, use the thumb on your other hand to remove the striker cover from the slide.

**KEEP YOUR THUMB IN PLACE TO ACT AS A SAFETY STOP FOR THE COMPONENTS UNDER SPRING TENSION!**

**Figure 26:**  
Striker Spring Seat Pin

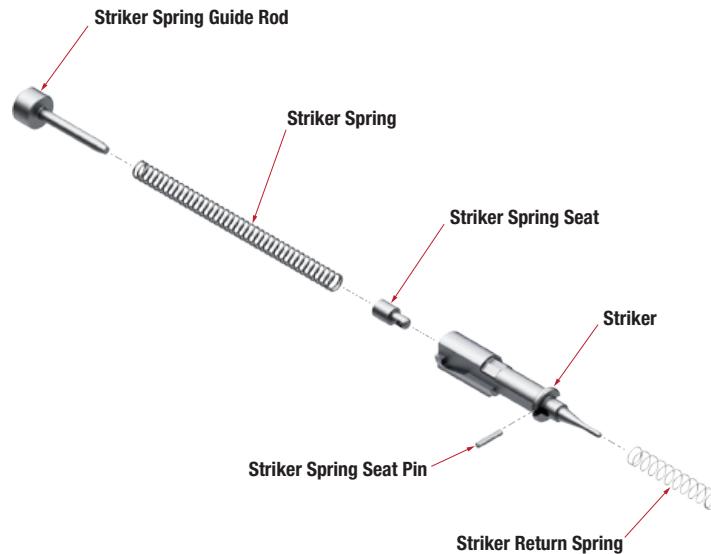


5. With your thumb in place, slowly release the striker spring guide rod until you feel spring tension completely removed from the components. It is now safe to remove your thumb.
6. Remove the striker spring guide rod and the striker spring.
7. Press down on the striker block and slide the striker until the back of the striker is flush with the back of the slide. Remove pressure from the striker block and allow it to pop up completely; turn slide right side up to allow the striker block and striker block spring to fall out. Take care not to lose the parts.
8. You can now remove the striker and striker return spring from the slide.

***NOTE: The striker return spring may or may not come out with the striker. If the spring does not accompany the striker upon removal, orient the slide vertically with the muzzle end facing up, and gently tap the slide against your working surface until spring falls out.***

9. To remove the striker spring seat pin, press the striker spring seat pin out of the side of the striker (**Figure 27**).
10. If the striker spring seat falls out of the striker, reinstall the seat and ensure the pin hole alignment matches the pin slot on the striker.
11. Install the new striker spring seat pin into the striker and the striker spring seat. Ensure there is no binding between the three parts (**Figure 27**).
12. Reinstall the striker.
  - Slide the striker return spring over the nose of the striker.
  - Slide the striker and striker return spring into the slide and ensure the back of the striker is flush with the back of the slide.

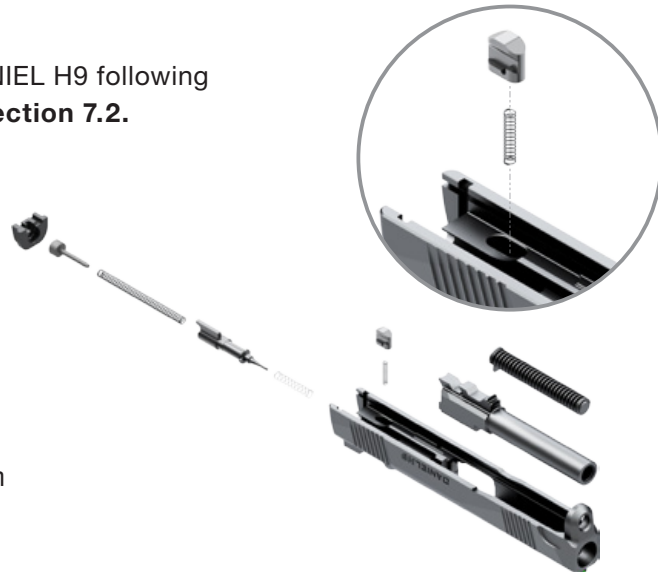
- Place the striker block spring into the striker block (**Figure 28**). With your thumb, holding the striker block spring to the striker block, lower the two parts with the spring facing you into the striker block pocket.
- Press down on the striker block until it bottoms out.
- While holding the striker block down, slide the striker to its forward most position in the striker channel.
- Release the striker block, then release the striker. You will hear and feel a click. Your striker block is now engaged with your striker.
- Perform a quick function safety test by pushing forward on the tail of the striker. You should not see the nose of the striker protruding out of the breach face.



**Figure 27:**  
Striker Assembly Parts List



13. Take the striker spring and place it into the bore of the striker.
14. Take the striker spring guide rod and place it on the open end of the striker spring.
15. Using your finger or a punch, press down on the striker spring guide rod until it is flush with the inside surface of the slide.
16. With your other hand, take the striker cover and install into the rails on the back of the slide.
  - You may remove your finger from the striker spring guide rod as the striker cover passes over the guide rod. When the striker cover is fully in place you'll hear a click.
17. Press down on the striker block; you should see the striker tip protrude out of the breach face. Follow Step 12 (second-to-last bullet) to reset the striker and striker block.
18. Reassemble the DANIEL H9 following the instructions in **Section 7.2**.



**Figure 28:**  
Striker Installation

## 8.0 DANIEL DEFENSE INFORMATION

### 8.1 SATISFACTION GUARANTEE

All Daniel Defense products carry a 100% satisfaction guarantee against defects in original materials and workmanship. If your Daniel Defense product shows evidence of such defects, Daniel Defense will make every accommodation to fix, repair, or replace your product in the most expeditious manner possible. Daniel Defense does not warranty products or damage caused to our products by the correct or incorrect installation of other manufacturers' products. Be sure to retain your sales slip as proof of purchase date when making a claim.



## 8.2 WARRANTY & RETURN REQUIREMENTS

1. Please contact our Warranty department to create an RMA prior to shipping items back to Daniel Defense to ensure they are processed in a timely fashion.
2. Merchandise must be in new condition with original packaging.
3. Merchandise must be return-shipped in a protective box.
4. Full refund, including shipping, will be granted if the return resulted from our error. Otherwise, we will deduct the shipping costs from your refund.
5. Refunds for items purchased directly from Daniel Defense will be returned via the original purchase method.
6. Refunds for items purchased through our Financing Partner, Expert Voice, or other special programs will be credited to those partners; they will then refund customers directly (processing times may vary).
7. Any other refunds will be issued via check, delivered by USPS.
8. Please provide a copy of the receipt or sales order number to expedite the process.
9. The customer will receive a refund within 10 business days of our receiving their return.

## 8.3 FIREARM SERVICE & REPAIR

An illustration and list of part names are included in this instruction manual to help you identify the parts you need, but it is most important to note that all parts are not available for sale. Those parts that are available should be installed by Daniel Defense or by a competent gunsmith. When ordering parts, please provide the part name as it is given on the parts list along with the serial number of the firearm.

### **NOTICE**

**If you make unauthorized adjustments or use unauthorized parts, Daniel Defense will not assume responsibility for the functioning of this firearm.**

### **NOTICE**

**This firearm is manufactured to perform properly with the original parts as designed. It is your duty to make sure any parts you buy are installed correctly and that neither replacements nor originals are altered or changed. This is why sending it back to the manufacturer is highly recommended. Your firearm is a complex product with many parts that must function properly with other parts.**

**⚠ WARNING** PUTTING A FIREARM TOGETHER INCORRECTLY OR WITH MODIFIED PARTS MAY RESULT IN A DAMAGED FIREARM AND DANGER, INJURY, OR DEATH TO YOU AND OTHERS THROUGH MALFUNCTION. ALWAYS LET A QUALIFIED GUNSMITH WORK ON YOUR FIREARM AND CHECK ANY WORK THAT WAS NOT PERFORMED BY A GUNSMITH. WE AT DANIEL DEFENSE THINK THIS IS A SMALL PRICE TO PAY FOR FIREARMS SAFETY.

1. Prior to sending a firearm to Daniel Defense, obtain an RMA (Return Merchandise Authorization) by contacting a Warranty Administrator at: **DanielDefense.com/contacts** or by calling **1-866-554-GUNS (4867)**.
2. Do not send ammunition, accessories, or presentation boxes.
3. Daniel Defense's address for receiving packages is:

**DD CUSTOMER SUPPORT**

**1334 ORACAL PARKWAY**

**BLACK CREEK, GA 31308**

**NOTICE** Do not indicate the contents or include "DANIEL DEFENSE" in the address on the package so that an inquisitive thief is not attracted to it by such information.

## 8.4 FIREARM RECORD

**Daniel Defense Product:** \_\_\_\_\_

**Caliber:** \_\_\_\_\_

**Purchased From:** \_\_\_\_\_

**Date Purchased:** \_\_\_\_\_

**Purchase Price:** \_\_\_\_\_

 **PROUDLY AND EXCLUSIVELY  
MADE IN THE USA**

**DANIEL  
DEFENSE**  
»» FREEDOM. PASSION. PRECISION.®

101 WARFIGHTER WAY, BLACK CREEK, GA 31308 | 1.866.554.GUNS (4867) | DANIELDEFENSE.com