

ROMEIO™

ROMEIO8T™ 1x38mm RED DOT SIGHT

ROMEIO8H™ 1x38mm RED DOT SIGHT

OWNERS MANUAL

SIGSAUER®

TABLE OF CONTENTS

Introduction	3
Contents	4
Key Features	5
Product Identification	6
Operation	8
Mounting the Sight	10
Sight Adjustments	11
Maintenance & Troubleshooting	12
Reticle	13
Specifications	14
SIG SAUER® Electro-Optics Infinite Guarantee™	16
SIG SAUER Electronic Component Limited 5-Year Warranty	17

A digital version of this manual is available at: sigsauer.com/cqs-manual

INTRODUCTION

The SIG SAUER® ROMEO8™ CQS RED DOT SIGHT is one of the most advanced rifle sights available. With selectable reticles, 5+ years of battery life and a removeable shroud (8T), it provides a robust and technologically superior sighting system.

The ROMEO8 features a high transmission 1X lens and a quad reticle design that allows for selecting one of 4 reticles quickly. Using a CR123A battery, over 275,000 hours of life can be expected. The removable shroud (8T) is included for the harshest of conditions, but can be removed using only a T10 torx bit for a more sleek design.

The ROMEO8 is covered by the SIG SAUER Electro-Optics Infinite Guarantee and the SIG SAUER Electronic & Tritium Limited 5-Year Warranty.

CONTENTS:

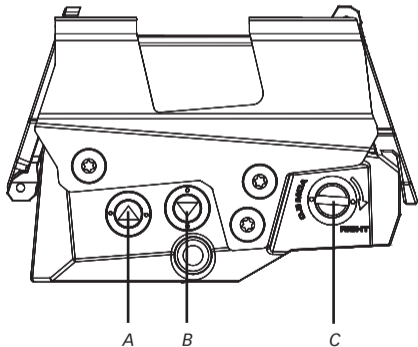
ROMEO8H 1x38mm RED DOT SIGHT	ROMEO8T 1x38mm RED DOT SIGHT
<ul style="list-style-type: none">• CR123A Battery• Lens Cleaning Cloth• Product Manual• Mounting/Adjusting Tool Kit	<ul style="list-style-type: none">• Titanium Shroud• Front and Rear Flip Back Lens Covers• Anti-Reflection Device• CR123A Battery• Lens Cleaning Cloth• Product Manual• Mounting/Adjusting Tool Kit

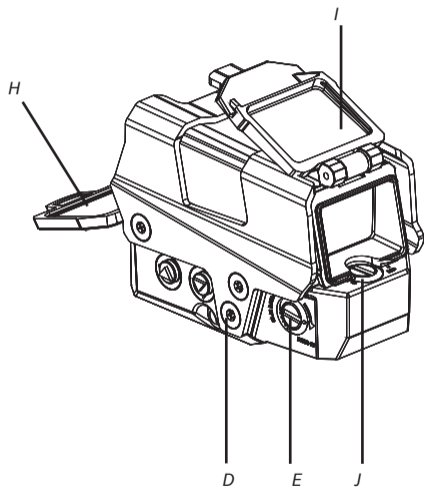
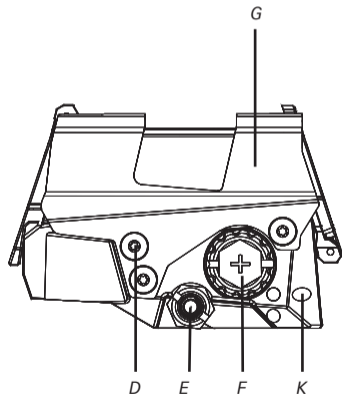
KEY FEATURES:

- High Transmittance lens for optical clarity, and 38mm aperture for “both eyes open” shooting
- Four selectable reticles: Dot, Circle Dot, Dot with Holds, Circle Dot with Holds
- Titanium shroud and low profile lens caps for ultimate durability under the harshest conditions (8T)
- MOTAC™ (Motion Activated Illumination System) that powers up when it senses motion and powers down when it does not; can also be disabled if necessary
- 7075-T6 (8T) or 6061-T6 (8H) Aluminum ensures durability in all conditions
- Waterproof rating of IPX-8
- SIG SAUER® Electro-Optics Infinite Guarantee™ and SIG SAUER Electronic Component Limited 5-Year Warranty

PRODUCT IDENTIFICATION:

- A – ▲ (Up) Brightness Adjustment Button
- B – ▼ (Down) Brightness Adjustment Button
- C – Windage Adjustment Screw
- D – T10 Shroud Screws (8T)
- E – 1/2" HEX nut Mount (85 in-lb)
- F – Battery Cap
- G – Shroud (8T)
- H – Front Flip Cap (8T)
- I – Rear Flip Cap (8T)
- J – Elevation Adjustment Screw
- K – Battery Cap Lanyard Hole





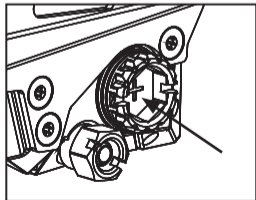
! WARNING

Before working on your ROMEO8 sight always ensure that the firearm is unloaded with the safety on.

OPERATION

Installing the battery

To install the battery, unscrew the battery cap (counterclockwise), insert the battery with the positive (+) end facing out. Reinstall the battery cap, turning it (clockwise) until finger tight, taking care not to damage the threads. Do not use a tool to tighten the battery cap, as this will damage the seal and affect the water resistance of the sight.

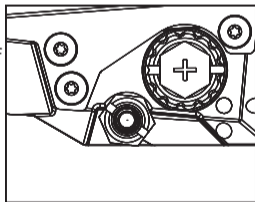


Turning Sight On and Off

- Turn the sight on by pressing and releasing either the ▲ or ▼ brightness adjustment button.
- To cycle through the different reticles, with the sight powered on, press and hold both ▲ and ▼ brightness adjustment buttons. When the desired reticle appears, release the buttons.
- To turn the sight off, press and hold either the ▲ or ▼ brightness adjustment button for at least 3 seconds. The sight will remain off until you press and release either the ▲ or ▼ brightness adjustment button. When the sight is turned back on, it will return to the last brightness setting used.
- After 2 minutes of inactivity (no movement), the sight will enter its power saving mode and automatically shut off. ANY movement will immediately turn the sight back on, returning the sight to the last brightness setting used.
- The ROMEO8 has 13 illumination settings, 10 day time and 3 night vision. To increase the brightness of the reticle, press and release the ▲ button on the left side of the sight. To decrease the brightness of the reticle, press and release the ▼ button on the left side of the sight.

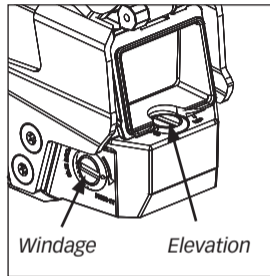
MOUNTING THE SIGHT

- Using the 1/2" HEX nut cross bolt, the ROMEO8 can mount to any M1913 Picatinny Rail. Loosen the HEX nut (counterclockwise) until it stops, then place the sight on the top M1913 Rail section at an eye relief that is comfortable for the shooter. Make sure the mounting cross bolt is sitting in a rail slot, then while pushing the sight forward towards the muzzle, hand tighten the HEX nut (clockwise) until finger tight.
- Using a torque wrench, torque the nut to **85 in-lb**. No thread locker or lock nut is needed.
- The battery cap can be used in an emergency to tighten the HEX nut. Remove the battery cap and flip it over on the 1/2" HEX nut. Warning: this is to be used in an **emergency** only, it does not apply the 85 in-lb of torque needed for zero hold.



SIGHT ADJUSTMENTS

- The elevation adjustments are on top of the sight. To raise the point of impact, using a tool, turn the elevation screw counterclockwise. Each click is equal to .5MOA. To lower the point of impact, turn the screw clockwise.
- The windage adjustments are on the left side of the sight. To move the point of impact left, using a tool, turn the elevation screw counterclockwise. Each click is equal to .5MOA. To move the point of impact right, turn the screw clockwise.
- The ROMEO8 has approximately 70 MOA travel in every direction from optical center, this will allow the zeroing of many different weapon systems.



MAINTENANCE

- Keep your lens clean by using a soft cloth or lens pen. The best way to maintain image quality is by keeping your lens clear of dirt and dust that cause scratches.
- When the sight is not in use, keep the flip-back lens covers (ROME08T) closed, to protect the lenses from scratches.

TROUBLE SHOOTING

POI changes between groups

- Check that the 1/2" HEX nut is tightened to the correct torque spec (85 in-lbs)
- Check/Clean your firearm
- Check for variations in ammunition

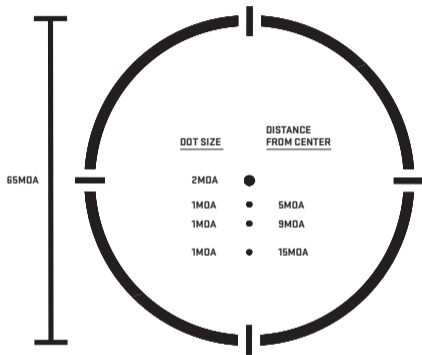
Red Dot not illuminated

- Verify the sight is powered ON (page 9)
- Replace the battery (page 8)

RETICLE

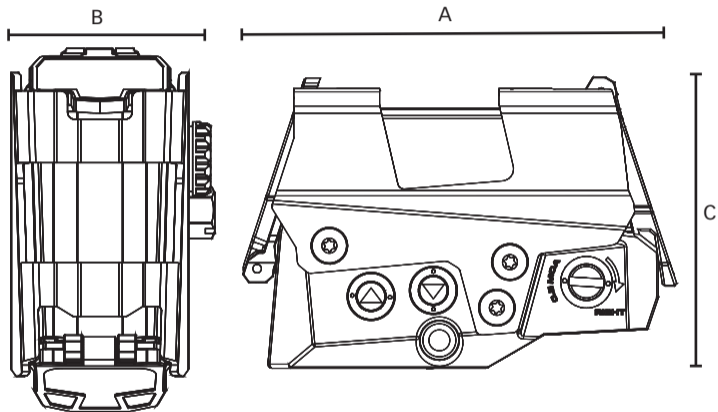
The ROME08 has a ballistic holdover reticle that can be used to engage targets at distance without adjusting the optic. The holdover dots are set to 5, 9 and 15 MOA from center. The size of the center dot is 2 MOA, the size of the ballistic holdover dots is 1 MOA and the size of the outer circle is 65 MOA.

EXAMPLE CONFIGURATION	EXAMPLE HOLDOVER
Ammunition: M855A1	5MOA=350m
Firearm: 14.5" M4	9MOA=500m
Altitude: 3000DA	15MOA=675-700m
Zero: 100m	



ROME08 SPECIFICATIONS

Magnification	1x
Illumination Settings	10 Daytime / 3 Night Vision
Field of View	1.25 inch x .91 inch
Elevation Adjustment Range	+/- 70 MOA
Windage Adjustment Range	+/- 70 MOA
Weight	13.7 oz / 388 g (8T) 10.7 oz / 304 g (8H)



A – 3.52 in / 89.4mm

B – 1.97 in / 50mm

C – 2.8 in / 71mm



SIG SAUER Electro-Optics Infinite Guarantee™

SIG SAUER has manufactured the most rugged, dependable high-performance firearms for over two centuries. Our heritage of design, engineering and precision-manufactured quality predates the existence of any other optics company worldwide. We understand the importance of quality in the line of fire, at the shooting range or on your next hunt. SIG SAUER Electro-Optics had to earn the right to wear that badge and the Infinite Guarantee has your back, forever. Period.

We will repair or replace your SIG SAUER product in the event it becomes damaged or defective, at no charge to you. If we cannot repair your product, we will replace it with a product in perfect working order of equal or better physical condition. It doesn't matter how it happened, whose fault it was, or where you purchased it.

SIG SAUER Infinite Guarantee™

- Unlimited Lifetime Guarantee
- Fully Transferable
- No Warranty Card Required
- No Receipt Required
- No Time Limit Applies
- No Charge

If you ever have a problem, no matter the cause, we promise to take care of you when it counts. Please note that our Infinite Guarantee does not provide coverage for intentional damage, misuse, cosmetic damage that does not affect the performance of the optic, loss, theft or unauthorized repair or modification. Excludes electronic components.



SIG SAUER Electronic & Tritium Limited 5-Year Warranty

For components not included under the SIG SAUER® Infinite Guarantee™, this warranty covers any defects in materials and workmanship in the electronic and Tritium components of illuminated riflescopes/sights, pistol sights, electronic sights, flashlights, lasers, binoculars, spotting scopes, and rangefinders. This warranty lasts for five years from the date of manufacture. If, during that five-year period, these products are found to have electronic or Tritium component defects in materials or workmanship, SIG SAUER will repair your product, at no charge to you. If we cannot repair your product, we will replace it with a product in perfect working order of equal or better physical condition.



NOTES:



FOR PRODUCT SERVICE ON THIS MODEL, PLEASE CALL 603-610-3000

27100 SW Parkway Avenue, Wilsonville, OR 97070 USA