



The Oldest Name In American Firearms
SPRINGFIELD ARMORY[®]
www.springfieldarmory.com



SPRINGFIELD M1 GARAND

DO NOT ATTEMPT TO LOAD YOUR M1 GARAND UNTIL YOU HAVE READ THIS MANUAL!

REVIEW THE SAFE HANDLING RULES PRIOR TO EACH USE

IMPORTANT SAFETY INFORMATION INSIDE

Keep this manual with your rifle and review it before each use. Do not allow others to handle or fire your rifle until they have read this manual. Transfer this manual with the firearm upon ownership change.

Be a responsible gun owner. Use it safely, store it securely, and always transfer a gun responsibly and legally.

TABLE OF CONTENTS

Before loading and firing this rifle	3	Muzzle protector	29
About your owners manual	3	Rear sight protector	29
Gun safety is no accident	3	Sights	30
Used guns	3	Match sight fine adjustment	30
Store guns safely in the home	3	Disassembly/Assembly	31
Nomenclature	4	The three main groups	31
Use of the M1 Garand	5	Disassembly	32
Ammunition	5	Disassembly of barrel and receiver group	33
Rules for safe shooting	11	Removing the bolt	36
When you pull the trigger and nothing happens	16	Assembly of barrel and receiver group	36
Note to left handed shooters	18	Replacing the bolt	36
Operation of the safety	18	Replacing the operating rod	37
Loading and unloading	20	Assembly of the three main groups	37
Firing the rifle	25	Reference materials	38
Maintenance	25	M1 Garand Standard Model Exploded View	39
Cleaning the Gas system	26	Shooting positions	40
Cleaning the bore and chamber	26		
Stock	28		
Storage	28		

Before loading and firing this rifle read and understand the information in this manual.

This is an auto-loading rifle. It is immediately loaded and ready to fire again after each shot until all shells loaded in the clip have been fired. The rifle is able to fire both with and without the clip in place. **The rifle is not unloaded until the chamber is empty.**

About your owners manual

This is an instruction booklet on how to operate this firearm with some basic safe handling rules. It does not attempt to provide information about using a gun to defend yourself, how to hunt, or for competitive or target shooting. It is important to get instruction from a competent instructor prior to engaging in any of these activities. The National Rifle Association, your local or state authorities or your gun dealer may provide information regarding available instructors or training courses. Using a gun for self defense is a complex subject with dangers and risks for which you must be properly trained. **Know and understand the laws regarding self defense.**

Gun safety is no accident

Every safety rule has a reason behind it - read the rules carefully and understand why the rule is important for safety.



It is recommended that every person receive instructions from a competent firearms instructor before handling this or any other firearm.

Know and obey all gun laws. Do not give a gun to someone who is not allowed to own a gun or who may use it for a criminal purpose.

Used guns

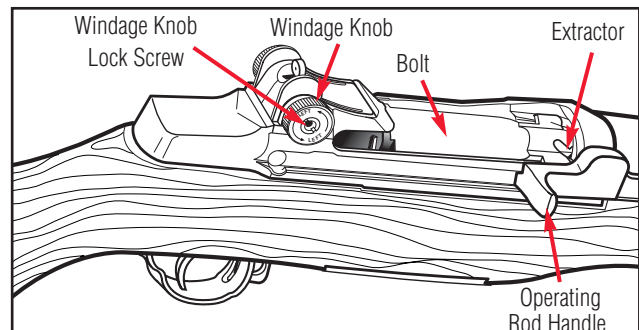
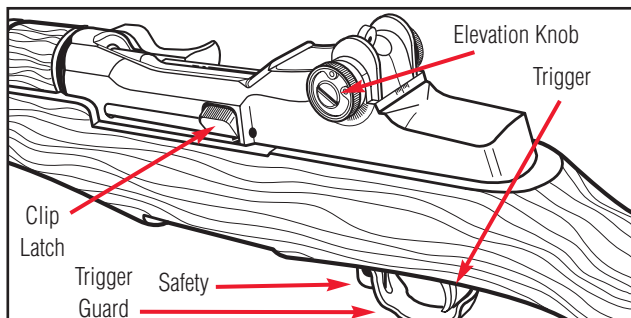
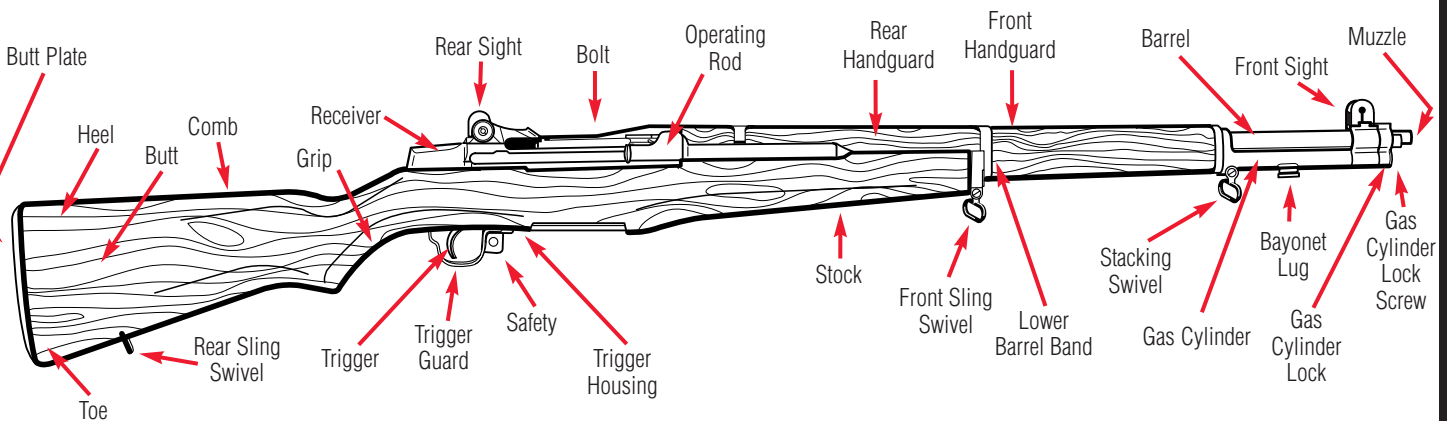
If you purchased this firearm as a used gun have it inspected and tested by a competent gunsmith before you use it. Guns are sometimes altered and may require repair before they can be used safely.

Store guns safely in the home

Store guns unloaded, locked and in a secure place. Obey gun storage laws. Store guns and ammunition separately. Because your children may be in other homes where guns are stored, you should show them what to do if they see or find a gun by showing them the Eddie Eagle video available from the NRA by calling (703) 267-1000.

3

NOMENCLATURE



4

USE OF THE M1 GARAND

Before handling or using your M1 Garand inspect the chamber to make sure the gun is unloaded.

1. Your firearm is delivered factory packaged and preserved with a light coating of protective grease and oils. Before loading make certain that all packing grease and oil has been cleaned from the bore and exposed mechanism.



2. Your firearm comes equipped with an effective, well-designed safety device. HOWEVER, NEVER RELY COMPLETELY ON ANY SAFETY MECHANISM. It is NOT a substitute for cautious gun handling. NO safety, however positive or well-designed, should be totally trusted. Like all mechanical devices, the safety is subject to breakage or malfunction and can be adversely affected by wear, abuse, dirt, corrosion, incorrect assembly, improper adjustment or repair, or lack of maintenance. Moreover, there is no such thing as a safety which is "child-proof" or which can completely prevent accidental discharge from improper usage, carelessness, or "horseplay". The best safety mechanism is your own good sense; USE IT! Always handle your firearm as though you expect the safety NOT to work!

AMMUNITION

3. The M1 Garand is designed and built to specifications to shoot U.S. Caliber .30 Rifle cartridge ammunition or 30-'06 Springfield. Springfield also builds Garands to shoot .308 caliber cartridges. The correct caliber for your gun is stamped on the barrel. DO NOT USE ANY OTHER CALIBER. The specifications for standard military ammunition include harder primers to withstand the slight indentation from the firing pin when the bolt chambers a cartridge. This slight indentation is normal. The use of civilian ammunition with more sensitive primers or handloads with commercial primers and/or improperly seated primers increase the risk of primer detonation when the bolt slams forward. This unexpected "slam fire" can occur even if the trigger is not being pulled and if the safety is on. Use of military specification ammunition will help avoid this. Every shooter should

5

use extreme caution when loading this or any other firearm. See page 20 for instructions on proper loading to help avoid a "slam fire". Also see enclosed article on "Slam Fire" written by Wayne Faatz.

4. Use only recently made high quality, original military or factory-manufactured ammunition in the correct caliber. Old ammunition may deteriorate from age causing it to be dangerous. Do not use cartridges that are dirty, wet,



corroded, bent or damaged. Do not oil cartridges. Do not spray aerosol-type lubricants, preservatives or cleaners directly onto cartridges or where excess spray may flow into contact with cartridges. **Defective ammunition is the primary cause of mishaps and can cause injury or death to you and bystanders.**

Lubricant or other foreign matter on cartridges can cause potentially dangerous ammunition malfunctions. Store ammunition in a cool dry place to prevent contamination and deterioration of the primer and powder. Use only ammunition of the caliber for which your firearm is chambered. The proper caliber is permanently engraved on your firearm; never attempt to use ammunition of any other caliber. **Defective ammunition can create excessive pressures resulting in an explosion and cause injury or death to you and/or those nearby. You must assume responsibility for using proper and safe ammunition.**

Keep ammunition separated by caliber at home and on the range. This can be done by keeping it in the original box. Throw ammunition away that has been dented or deformed, shows signs of wear such as split or cracked necks, cratered or flattened primers, or punctured cases. If you have any reason to question the safety of any cartridge do not use it and safely discard it immediately.

DO NOT UNDER ANY CIRCUMSTANCES USE OLD OR RELOADED AMMUNITION PURCHASED AT GUN SHOWS, ESTATE SALES OR AUCTIONS.

6

5. **The use of reloaded, "remanufactured", hand-loaded, or other non-standard ammunition voids all warranties. Reloading is a science and improperly loaded ammunition can be extremely dangerous. Severe damage to the firearm and serious injury to the shooter or to others may result. Reloaded ammunition that may function in a bolt or slide action firearm may not properly function and may even explode in a semi-automatic.** The risk of a mishap is reduced by using current clean military ammunition or ammunition that complies with the industry performance standards established by the Sporting Arms and Ammunition Manufacturers' Institute, Inc. of the United States, (SAAMI).
6. **Firearms may be severely damaged and serious injury to the shooter or to others may result from any condition causing excessive pressure inside the chamber or barrel during firing.** Excessive pressure can be caused by obstructions in the barrel, propellant powder overloads, or by the use of incorrect cartridges or defectively assembled cartridges. In addition, the use of dirty, corroded, or damaged cartridges may cause personal injury from the sudden escape of high-pressure propellant gas within the firearm's mechanism.
7. Immediately stop shooting and check the barrel for an obstruction whenever:
 - You have difficulty in, or feel unusual resistance in, chambering a cartridge
 - A cartridge misfires (does not go off)
 - The mechanism fails to extract a fired cartridge case
 - Unburned grains of propellant powder are discovered spilled in the mechanism
 - A shot sounds weak or abnormal. In such cases it is possible that a bullet is lodged part way down the barrel. Firing a subsequent bullet into the obstructed barrel can destroy the firearm and cause serious injury to the shooter and to bystanders.
8. Bullets can become lodged in the barrel:
 - If the cartridge has been improperly loaded without propellant powder, or if the powder fails to ignite. (Ignition of the cartridge primer alone will push the bullet out of the cartridge case, but usually does not generate sufficient energy to expel the bullet completely from the barrel.)



generate sufficient energy to expel the bullet completely from the barrel.)

- If the bullet is not properly seated tightly in the cartridge case. When such a cartridge is extracted from the chamber without being fired, the bullet may be left behind in the bore at the point where the rifling begins. Subsequent chambering of another cartridge may push the first bullet further into the bore.
9. **If there is any reason to suspect that a bullet is obstructing the barrel, immediately unload the firearm and look through the bore. It is not sufficient to merely look in the chamber. A bullet may be lodged some distance down the barrel where it cannot easily be seen.**



IF A BULLET IS IN THE BORE, DO NOT ATTEMPT TO SHOOT IT OUT BY USING ANOTHER CARTRIDGE, OR BY BLOWING IT OUT WITH A BLANK OR ONE FROM WHICH

THE BULLET HAS BEEN REMOVED. SUCH TECHNIQUES CAN GENERATE EXCESSIVE PRESSURE, DESTROY THE FIREARM AND CAUSE SERIOUS PERSONAL INJURY TO YOU AND BYSTANDERS.

If the bullet can be removed by pushing it out with a cleaning rod, clean any unburned powder grains from the bore, chamber, and mechanism before resuming shooting. If the bullet cannot be dislodged by firmly tapping it with a cleaning rod, take the firearm to a gunsmith.

10. While shooting any semi-automatic firearm, an unfired cartridge or fired cartridge case may occasionally become jammed between the bolt and the barrel. Clear the jam as

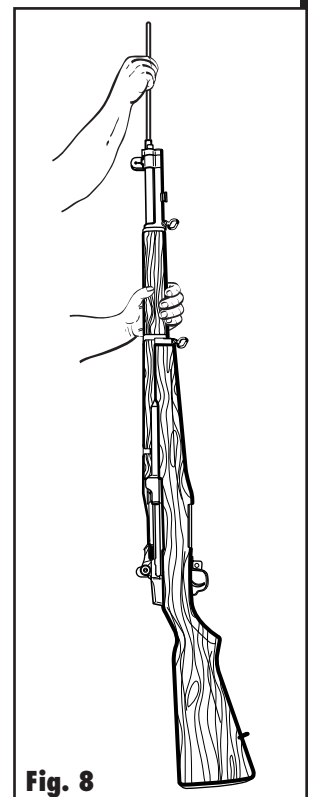
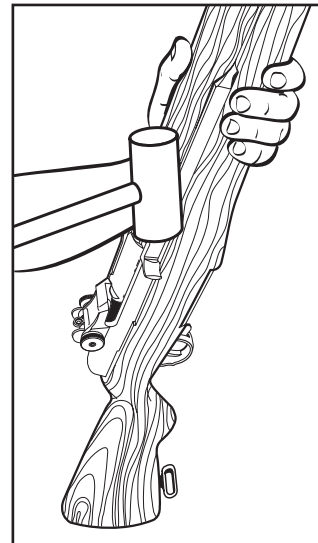


Fig. 8

follows, WHILE KEEPING THE MUZZLE POINTED IN A SAFE DIRECTION:

Pull back the bolt and hold or lock it to the rear. The jammed cartridge or case now can be removed by shaking it out or by picking it out with the fingers. When the bolt is jammed closed put the safety "ON", and point the gun in a safe direction. Place the butt of the rifle on a hard surface and strike the bolt handle to the rear using a wooden or plastic mallet to open the bolt. **If this fails to open the bolt take the gun to a gunsmith immediately. Determine what caused the jam before resuming shooting.**



11. Dirt, corrosion, or other foreign matter on a cartridge can impede complete chambering and may cause the cartridge case to burst upon firing. The same is true of cartridges which are damaged or deformed.
12. Do not oil cartridges, and be sure to wipe the chamber clean of any oil or preservative before commencing to shoot. Oil actually interferes with the friction between the cartridge case and chamber wall that is necessary for safe functioning, and subjects the firearm to stress similar to that imposed by excessive pressure.
13. Use lubricants sparingly on the moving parts of your firearm. Avoid excessive spraying of any aerosol gun care product, especially where it may get on ammunition. All lubricants, and aerosol spray lubricants in particular, can penetrate cartridge primers and cause misfires. Some highly penetrative lubricants can also migrate inside cartridge cases and cause deterioration of the propellant powder, and on firing the powder may not ignite. If only the primer ignites there is danger that the bullet may become lodged in the barrel.

9

14. Never fire any semi-automatic firearm with your finger, hand, face, or other part of your body over or adjacent to the ejection port, or in any position where you may be struck by the reciprocating movement of the operating rod or bolt. Both the ejection of empty cartridge cases and the movement of the operating rod and bolt are part of the normal operating cycle of semi-automatic firearms and pose no safety hazard to the shooter if the firearm is held in a normal grip and fired at arms' length as intended by its design.

All firearms require periodic maintenance and inspection which may reveal a need for adjustment or repair. Have your firearm checked by a competent gunsmith annually even if it seems to be working well, since breakage, improper functioning, undue wear, or corrosion of some components may not be apparent from external examination. If you notice ANY mechanical malfunction, DO NOT continue to use the firearm. UNLOAD the firearm and take it to a competent gunsmith immediately. Similarly, if water, sand, or other foreign matter enters the internal mechanism, the firearm should be dismantled for complete and thorough cleaning. Failure to keep your firearm clean and in proper working order can lead to a potentially dangerous condition.



Always wear eye and ear protection when using any firearm.
Safety and instruction manuals are available from Springfield, Inc.

ALWAYS POINT YOUR GUN IN A SAFE DIRECTION.

BEFORE USING OR HANDLING REVIEW THE FOLLOWING RULES FOR SAFE SHOOTING.

ALWAYS FOLLOW THESE RULES TO BE A SAFE SHOOTER!

READ THESE AND BE A SAFE SHOOTER

ACCIDENT (AK' si dent) N. 1. An unintentional or unexpected happening that is undesirable or unfortunate, esp. one resulting in injury, damage, harm or loss.

Don't be the cause of an accident!



A responsible gun owner is safety minded and always handles guns in a safe manner by following the basic rules of safe shooting and using common sense in the use of a firearm.

11

BE A RESPONSIBLE GUN OWNER...

Read these rules! Use common sense!

- Always keep the muzzle pointed in a safe direction.
- Keep your finger off the trigger until you are actually aiming at the target and ready to shoot.
- Treat every gun as if it is LOADED...ALL THE TIME!
- Be sure of your target and backstop before you shoot. Ask yourself what your bullet will hit if it misses or goes through the target. The bullet can travel over a mile.
- Place the safety ON when not shooting.
- DO NOT DROP YOUR GUN. If it falls, it may fire even with the safety on. If you do drop it, unload it and insure it works correctly before using it again. When firing this or any other high power rifle always keep a firm hold on the gun. Anticipate the noise and recoil.
- Never put your hand over the muzzle of a gun.
- Never rely on a gun's "safety" to protect you from unsafe gun handling. A safety is only a mechanical device, not a substitute for common sense.
- Be sure the barrel is clear of obstruction before shooting.
- If anything does get into the barrel, remove cartridges and clean bore immediately before attempting to shoot. Obstructed barrels can burst and injure you or bystanders.

12

BE A SAFE SHOOTER...

- Never let water, snow, mud or other material enter the barrel.
- Never pull a gun towards you by the muzzle. Do not climb a tree or cross a fence or ditch with a loaded gun.
- Guns and alcohol or drugs do not mix. Do not use them before or during shooting activities.
- Get instructions from a competent firearms instructor before using any gun.
- Always keep and carry your rifle with an empty chamber until you intend to shoot.
- Firearms should be unloaded when not actually in use. This means the chamber is empty and the magazine is removed.
- When receiving a gun always open the action and check that it is unloaded.
- Load the gun only when on the range preparing to fire, and unload it before leaving the range.
- Load and unload with the muzzle pointed in a safe direction.
- Be certain the gun is unloaded before cleaning.
- Always unload guns before entering a house, car, truck, boat, RV, camp or any building.
- Never leave a loaded gun unattended.

13

- Store guns and ammunition separately beyond the reach of children.
- Never place a gun where it could fall and fire.
- Children do not really believe that guns can kill. Keep every gun secure so kids can not get to them. If a child finds your gun and plays with it, tragedy may result.
- Use a secure case to transport your M1 Garand. Know and obey the laws for transporting firearms.
- Old or reloaded ammunition may be dangerous. Use only clean, dry, original, high-quality, commercially manufactured ammunition.
- Many ammunition identifications sound similar. Make sure you use the right size ammunition in your gun.
- If a gun fails to fire when the trigger is pulled, keep it pointed at the target for at least 10 seconds before removing the cartridge from the chamber. Sometimes slow primer ignition will cause a "hang-fire" and the cartridge will go off after a short pause.
- Spectators should be 10 feet behind and away from the shooter while loading, firing and unloading.
- Always wear protective eyewear when shooting or near shooting activities.
- Always wear hearing protection when shooting, at a shooting range, or near shooting activities.
- Never shoot at hard flat surfaces, the ground, water or rocks...bullets will ricochet unpredictably.
- Do not alter or modify your gun, and have guns serviced regularly.

14

- Do not attempt to change your gun's trigger pull, because alterations of trigger pull usually affect sear engagement and may cause accidental firing.
- Stop using your gun if it fails to function properly. Have the gun examined by a competent gunsmith.
- Do not "horseplay" with a gun. Your gun can not think...but you can. Firearm safety depends on you.
- Use a gun lock when gun is not in use and store firearms in a secure place.
- Never assume or take someone's word that a gun is unloaded. Always check it yourself.
- Always carry a gun so you can control the direction of the muzzle in the event you fall or stumble.
- Never transfer a gun to someone who is not legally permitted to possess it or who might use it unlawfully.
- Know and obey all laws of firearms use and ownership.
- Write to Springfield concerning any items which you do not understand and which might relate to your safety and the operation of any of our products.



Always wear eye and ear protection when using any firearm.
Safety and instruction manuals are available from Springfield, Inc.



WARNING: WHEN THE TRIGGER IS PULLED YOU MUST EXPECT THE GUN TO FIRE, AND YOU MUST TAKE FULL RESPONSIBILITY FOR FIRING IT.

WHEN YOU PULL THE TRIGGER AND NOTHING HAPPENS

You can expect your M1 Garand to fire when you pull the trigger, but there may be times when you pull the trigger and the gun does not fire. When this happens it is important to understand the various conditions that could cause this to happen. **In every instance it is important to keep the muzzle pointed in a safe direction while you identify what happened.** Wait 10 seconds in case there is a "hang-fire"- where the primer delays igniting the powder. After 10 seconds you can begin to take corrective action.

WHAT TO DO

First look at the bolt. If the bolt appears to be closed pull the bolt back by pulling rearward on the operating rod handle. If no shell is ejected and the **chamber is empty** there was a failure to feed. Release the bolt then pull back on the operating rod handle just far enough to allow you to see if a shell was chambered. If there is a shell in the chamber the gun is ready to fire. If there is no shell in the chamber check the clip to make sure it is properly inserted. Then pull the operating rod handle back and release it. If the clip is properly seated the gun should be ready to fire. If there is another failure to feed, remove the clip and insert a different one. If there is a continued failure to feed, unload the gun and take the gun to a competent gunsmith.

If after pulling the bolt back there is a **cartridge in the chamber**, keep holding the operating rod handle to the rear. (If the cartridge in the chamber is unfired the bolt will push another cartridge against the unfired cartridge primer and perhaps cause the shell to explode). Put the safety on and eject the clip and remaining cartridges (See Page 23- Unloading.) Only after the clip is out should you depress the follower and allow the bolt to slam forward and open the bolt again. If the cartridge continues to remain in the chamber pull the operating rod handle back and lock it open. If possible, use a screwdriver to pry the rim to loosen the shell. If this does not work, point the gun in a safe direction and insert a cleaning rod in the muzzle. Keeping your hands away from the muzzle, tap the cartridge until it comes out. Check the extractor and clean the chamber. If this problem repeats itself, unload the gun and take it to a gunsmith for inspection and repair. Do not use the gun if this problem persists. Safely dispose of the cartridge.

If an **unfired cartridge is ejected**, lock the bolt back. Inspect the primer on the cartridge. If there is a small or faint indentation, the bolt may not have been fully closed. If the primer mark is deeply indented the primer is defective. Both cartridges should be safely discarded. Release the bolt and chamber a cartridge. Check the bolt to see if it is fully closed. If not, unload the gun and inspect the ammunition and chamber to see if they are clean. A dirty chamber or deformed ammunition will prevent the bolt from properly closing. Properly loading the first cartridge from the clip requires you to properly insert the clip and to release the operating rod smartly to allow the bolt to slam forward and strip the cartridge from the top of the clip. If the bolt continues to not close fully, try a different clip. Take the gun to a competent gunsmith if the problem continues.

If a **cartridge is ejected without the bullet DO NOT ATTEMPT TO RELOAD THE GUN UNTIL YOU HAVE LOOKED DOWN THE BARREL AND DETERMINED THAT THE BARREL IS FREE FROM OBSTRUCTION.** A bullet stuck somewhere in the barrel will cause the gun to explode if another shell is fired. You can only remove a bullet stuck in the barrel by pushing it out with a wooden dowel or cleaning rod (See Fig. 8). Do not try to remove the bullet any other way. If in doubt, take the gun to a gunsmith.

Always load the M1 Garand from the clip. Placing the shell directly in the chamber allows the bolt to slam forward harder than it would if the shell had to be stripped from the clip. When this occurs the inertia firing pin can come in contact with the cartridge primer with sufficient force to cause a "slam fire". A "slam fire" can occur even if you are not pulling the trigger and even if the safety is on. The use of handloads increases the chance of a "slam fire" and should not be used. When releasing the bolt to load a cartridge in the chamber you should always hold the gun firmly and keep it pointed in a safe direction.

17

NOTE TO LEFT HANDED SHOOTERS

The M1 Garand was designed to be operated and fired right handed. That's the way Uncle Sam wanted it and that's the way instructions on use were given. If you are left handed take the time to practice using the M1 Garand right handed. If this does not work for you, you must develop safe handling procedures that work for you. However, it is safer to operate the M1 Garand right handed as it was designed.

OPERATION OF THE SAFETY

When the hammer is cocked the gun may be placed on "SAFE". To do this press firmly on the safety lever until it snaps rearward into the trigger guard to put the safety "ON". (See Figure 18). When the safety is "ON" the trigger cannot be depressed because the trigger is blocked and the hammer is locked in place.

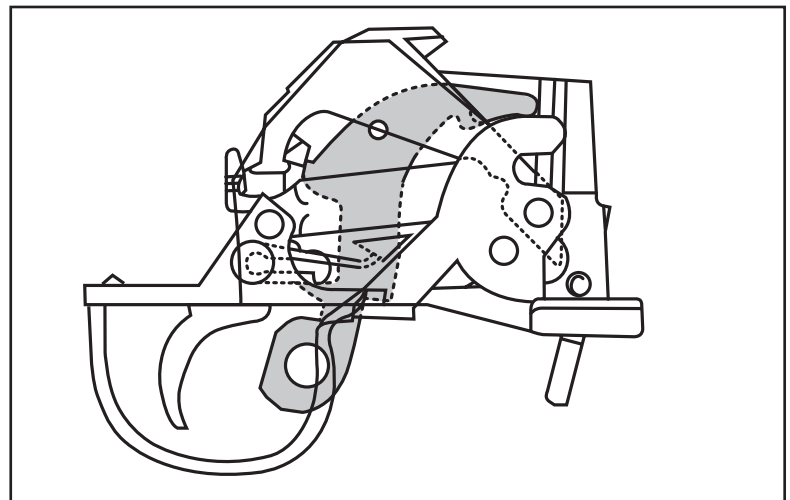
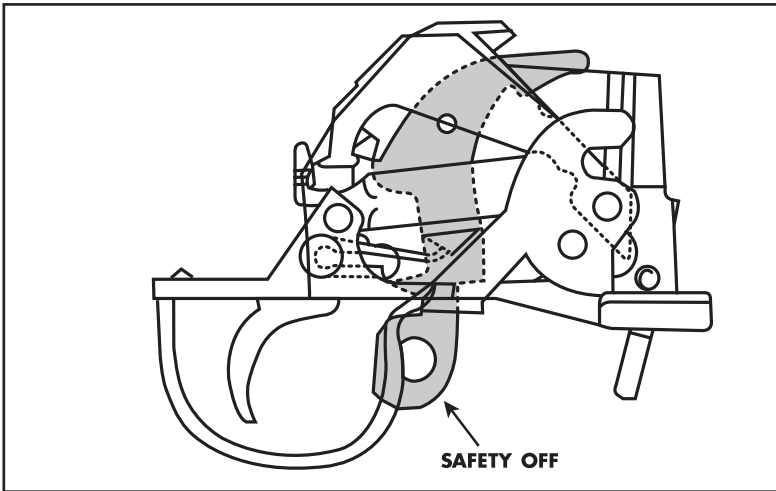


Fig. 18



Always wear eye and ear protection when using any firearm. Safety and instruction manuals are available from Springfield, Inc.



To take the safety "OFF" place your finger inside the trigger guard and press the safety lever firmly forward until it snaps in place in front of the trigger guard. **(See Figure 19)**. When the safety is "OFF" the gun will fire when the trigger is pulled.

The rifle should be unloaded with the safety "ON" by removing the magazine and ejecting the cartridge in the chamber by pulling the bolt to the rear.

The rifle should always be loaded and unloaded with the safety "ON".

Fig. 19

WARNING: THE SAFETY IS SIMPLY A MECHANICAL DEVICE AND CAN BE BROKEN OR MALFUNCTION DUE TO BREAKAGE, IMPROPER ASSEMBLY, WEAR OR ABUSE. THE SAFETY DOES NOT REPLACE SAFE GUN HANDLING PROCEDURES.



LOADING



CAUTION: WHEN LOADING AND UNLOADING ALWAYS HAVE THE SAFETY ON AND THE RIFLE POINTED IN A SAFE DIRECTION.

1. Load the cartridge clip. Insert a cartridge on the lower left side of the clip so that its base is against the rear wall of the clip and its extractor groove engages the vertical inner side of the clip. The next cartridge should be inserted on the opposite side. Continue inserting cartridges until eight have been loaded. The last cartridge will snap in place and be on the right side. The cartridge being on the right facilitates locking the clip into the rifle by a right handed person.

If all the cartridges are uniformly seated the clip is ready to load. If some cartridges stick out further than the others, remove the top cartridge, push the cartridge that is sticking out back until the extractor groove is engaged and replace the top cartridge.

Caution: Do not try to align the cartridges by hitting the loaded clip against a hard object. This could drive a bullet back into the case and create a dangerous condition.

2. Follow these safety rules before inserting the clip into the rifle.
 1. Point the muzzle in a safe direction
 2. Put the safety "ON"
3. Do Not load the rifle in your home, car or other buildings other than a shooting range. There is no safe direction your rifle can be pointed in these places as a bullet will travel through floors and walls, property damage and personal injuries will always occur.

3. Prepare the rifle for loading. Pull the operating rod handle to the rear until the bolt is securely locked open. (See Figure 21-1).

Caution! Make sure the bolt is not simply resting against the follower. (See Figure 21-2) If the bolt is not correctly locked back the bolt may slam forward while you are loading the clip unexpectedly.

4. Loading a full clip. Grasp the rifle with your left hand just forward of and under the receiver. Place the butt of the rifle on or against something fairly solid such as your thigh, a table or the ground. Using your right hand place the clip on the top center of the cartridge with your hand extended down the right side of the rifle so that your hand is just forward of the operating rod handle. Push the clip down until it latches. The operating handle and bolt should stay to the rear **as long as downward pressure is maintained on the top cartridge.** (See Figure 21-3).

Caution: Before pushing the clip down into the magazine you must keep in mind that the bolt will slam forward immediately after the clip is latched and you remove the downward force on the clip. So plan to quickly move your right thumb and hand quickly up and to the right to clear the bolt as it slams forward. If by chance you do this too slowly the edge of your hand should catch the bolt and prevent it from smashing your thumb. When loading a Garand clip the first time and thereafter, visualize the entire process including the quick removal of your thumb and hand before attempting it. Only by concentrating on proper loading technique will you avoid an "M1 - thumb." If the prospect of having your thumb hit by the bolt is unacceptable do not attempt to load your Garand.

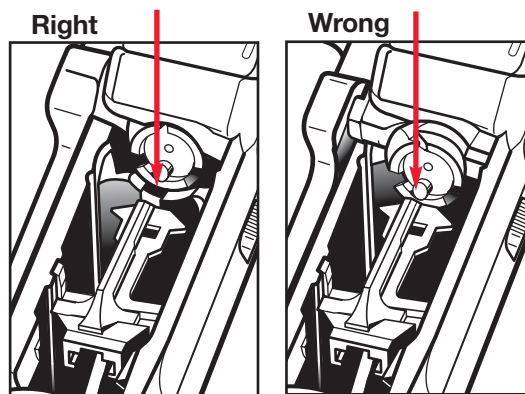


Fig. 21-1

Fig. 21-2

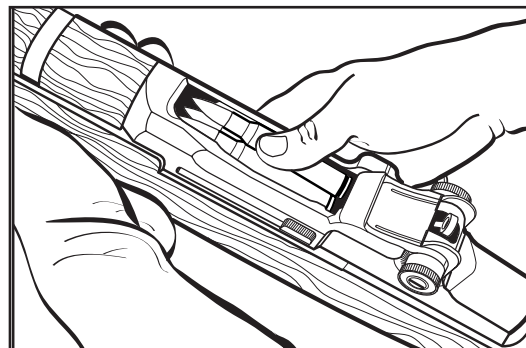


Fig. 21-3

21

5. If the bolt fails to completely strip the first round from the clip it will be necessary to bump the operating rod handle forward with the heel of your right hand to close the bolt.
6. Loading a partial clip. Start by holding the rifle as you would when loading a full clip. (It may help if the rifle is closer to horizontal for this.) Place an empty clip into the magazine and place one cartridge into the clip on either side of the follower slide. Then remembering to keep your hand along the side of the rifle in front of the bolt handle press the second cartridge down with your thumb until it snaps in place. Additional cartridges may be inserted in this manner.

Caution: Always keep your hand in front of, not on the operating rod handle to catch the handle and prevent the bolt from slamming forward if the bolt is inadvertently released. (Once attempting this procedure you will realize the benefits of always loading a full clip.) When you have completed adding cartridges, carefully use the edge of your hand to push back against the operating rod handle until the bolt is unlatched. When the bolt is unlatched press the clip down with the right thumb and allow the bolt to start forward pushing the top cartridge toward the chamber. Once this is done remove your right thumb and smartly flip your hand up and to the right allowing the bolt to slam forward and close.

7. It is not recommended that cartridges be loaded one at a time. However, a single loading device is available for NRA competition where loading single rounds is required.

UNLOADING

1. Point the muzzle in a safe direction.
2. Put the safety "ON"
3. Place the rifle butt against your hip or thigh or support the butt of the stock on a table or bench. Place your right hand along the receiver and using your right thumb over the operating rod handle pull the bolt slowly to the rear. While doing this place your left hand over the receiver to catch the cartridge as it is removed from the chamber and ejected. **(See Figure 23-1).**
4. Next pull the operating rod completely to the rear and hold it there. It may be of assistance to grip the rifle with the right hand to hold the bolt completely back.
5. Place the fingers or palm of your left hand over the clip and depress the clip latch with your left thumb. **(See Figure 23-2).** At this time the clip and cartridges will pop into your left hand.

Caution: Do not allow the bolt to move forward while unloading. The top cartridge may get pushed forward and interfere with the ejection of the clip.

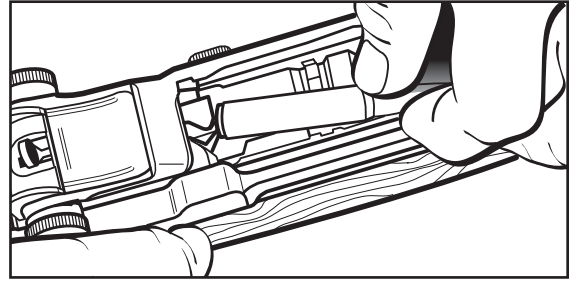


Fig. 23-1

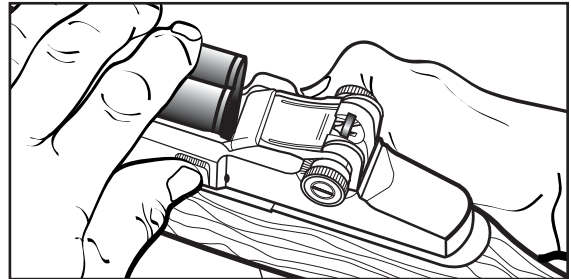


Fig. 23-2

23

How to have an empty chamber with cartridges in the magazine.
(This cannot be done with a full clip)

1. Point the gun in a safe direction.
2. Pull the operating rod handle to the rear to remove the cartridge from the chamber and hold the handle to the rear.
3. Depress the top cartridge and slowly allow the bolt to move forward **over** the top of the cartridge about an inch.
4. Remove your thumb from the cartridge.
5. Allow the bolt to move forward into the empty chamber.

Caution: If this procedure is not properly performed a cartridge may be chambered creating a dangerous condition. To avoid this carefully observe the bolt as it closes to make sure that a cartridge is not inadvertently chambered.

How to close the bolt with an empty rifle.

1. Place your right hand along side of the open operating rod.
2. Using the edge of your right hand, push the operating rod slightly to the rear and depress the follower with your right thumb.
3. Slowly allow the bolt to move forward overriding the follower.
4. Remove your right thumb.
5. Slowly allow the bolt to move forward until it is fully forward.

Caution: Allowing the bolt to slam forward on an empty chamber is hard on the rifle. Avoid it whenever possible.



Always wear eye and ear protection when using any firearm. Safety and instruction manuals are available from Springfield, Inc.

FIRING THE RIFLE

WARNING: BEFORE AIMING AND FIRING YOUR RIFLE BE SURE IT IS SAFE TO DO SO. KNOW WHERE YOUR BULLET WILL BE STOPPED.

When the rifle is loaded and you intend to fire, aim at your target, move the safety to the off position and pull the trigger. Expect the gun to fire loudly and recoil. Do not drop the rifle. The M1 Garand will automatically chamber a live round from the clip after each shot until the clip is empty. When the clip is empty it will automatically eject from the rifle and the bolt will lock back. When through firing put the safety "ON" and unload the gun. Always keep the muzzle pointed in a safe direction.

A rifle may be fired from various positions. (See illustrations at the back of the manual.) If you are unfamiliar with shooting a rifle you should get instructions from a competent instructor before attempting to fire your rifle.

This manual does not attempt to provide instruction on marksmanship, hunting, self defense or the many other uses of a rifle. Each firearm discipline requires training and practice from a competent instructor. Do not attempt to use any high power rifle such as an M1 Garand for home or neighborhood defense without prior training and consideration of other options.



MAINTENANCE

Your M1 Garand rifle is one of the finest military-type rifles ever built. Very little maintenance is needed to keep your M1 Garand in superb condition. Disassembly should be kept to an absolute minimum. This is especially true with National Match and Ultra Match rifles, whose actions are glass bedded to their stocks. Unnecessary removal promotes wear, sloppy fit, inaccuracy and defeats the purpose of the bedding. Please do not field strip your match rifle unless it is absolutely necessary.

25

CLEANING THE GAS SYSTEM

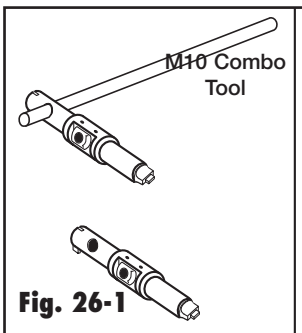


Fig. 26-1

The gas system should be cleaned periodically to prevent the build up of carbon deposits and prevent erosion. Use a M10 (See Figure 26-1) or early issue (See Figure 26-2) combo tool to remove the gas cylinder lock screw. Do not attempt to remove the gas cylinder from the barrel as this can loosen the fit and degrade accuracy. Use a cleaning rod, patches, and powder solvent to clean the gas cylinder. Use powder solvent to clean the gas cylinder lock and screw. Heavy carbon build up may need to be chipped or scraped away. Apply a thin film of grease to the gas cylinder lock screw threads when reassembling.

CLEANING BORE & CHAMBER

The bore and chamber should be regularly cleaned using proper equipment. Modern barrels shoot better when clean. To properly clean the barrel you should remove powder fouling and gilding metal from the bore, clean the flash suppressor and clean various residue from the chamber. When cleaning the barrel, place the rifle upside down to prevent solvent, oil, etc. from entering the stock and the gas system.

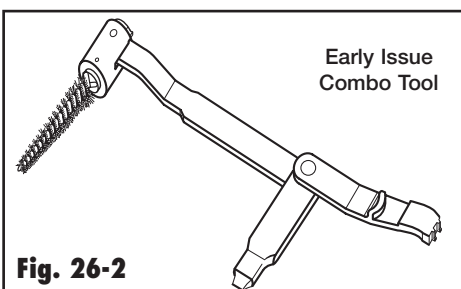


Fig. 26-2

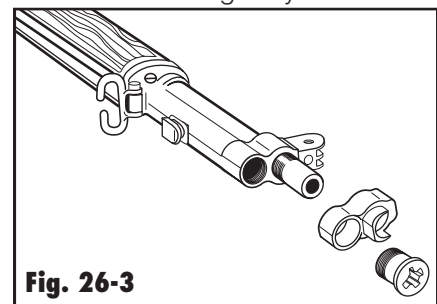


Fig. 26-3

CLEANING THE BORE

Bore solvent such as Shooters Choice® or Hoppe's Bench Rest® (not regular) is recommended when cleaning your M1 Garand bore. Place rifle with sights down and run wet patch through the bore. Let soak for 20 to 30 minutes then run dry patches through bore until patch comes out clean. Use bronze bore brush sparingly to help loosen particles.

NOTE: Put solvent on brush - **not brush in solvent!** Clean brush thoroughly afterward with gun scrubber, lighter fluid, etc. Good solvent will attack the brush.

CLEANING THE CHAMBER

The chamber should be cleaned periodically with the chamber cleaning brush. The following procedure is used with the rifle assembled and the bolt locked back and the safety on. Apply a light coating of bore cleaner into the chamber, insert early issue combo tool chamber brush into chamber. Work the brush back and forth in a twisting motion several times to scrub the chamber. Remove the brush from the chamber. Use a clean patch to wipe the chamber. Repeat with clean patches until patches come out clean. Do not oil chamber as chamber was designed to operate dry.

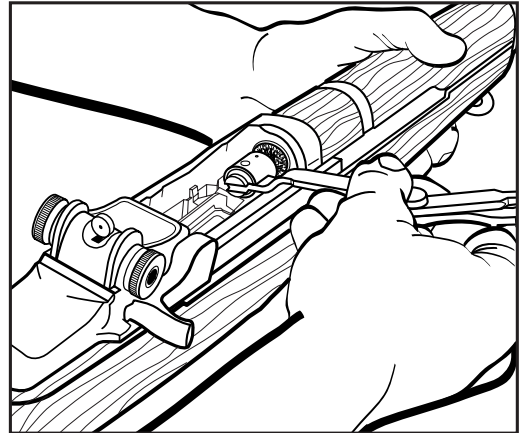


Fig. 27-1

27

STOCK

Once a year, on oil-finished stocks, a light coat of tung oil or boiled linseed oil applied to the exterior wood surface is favorable but not necessary. After applying, immediately wipe wood dry with paper towel.

STORAGE

Consideration toward safety is paramount in storing your M1 Garand. The rifle should be unloaded with the safety on. A very light film of high quality oil should coat the bore and all metal surfaces. Periodic inspection of your M1 Garand should be performed, especially in environments where high or fluctuating temperatures and/or humidity is present. Use a gun lock when the rifle is stored (**See Figure 28**).

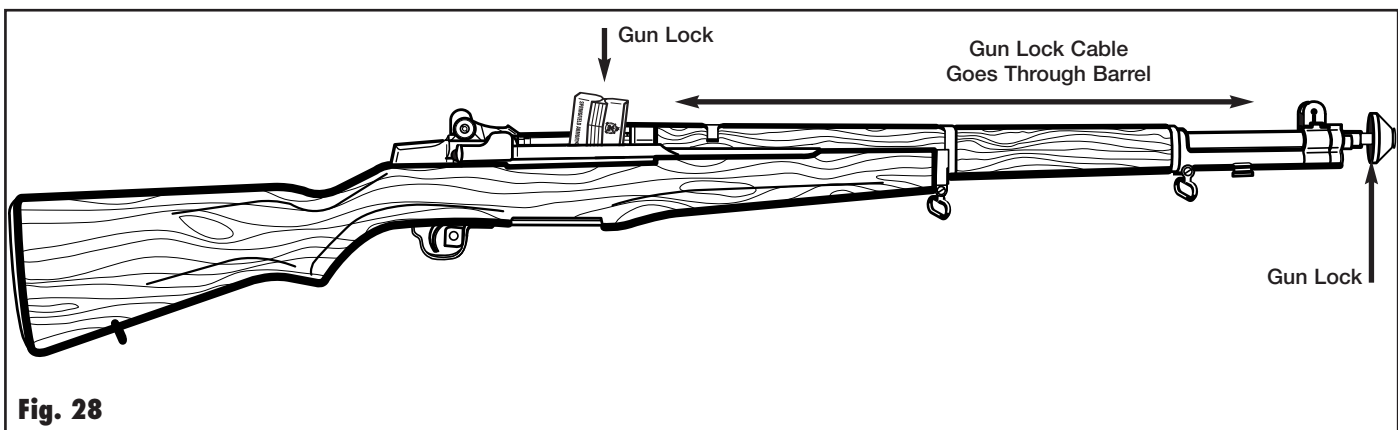


Fig. 28

MUZZLE PROTECTOR

Springfield Armory suggests their muzzle protector, **(See Figure 29-1)**, as a useful addition to M1 Garand storage. NOTE: Not available for muzzle brake equipped M1 Garand rifles. This low cost cover not only keeps dirt, moisture and particulate matter from damaging the rifle bore, but also protects the front sight and bayonet lug from “dings” and mild shock.

A clean, dry area, secure from children’s curiosity, is ideal for safe storage of your M1 Garand rifle. Always use a gun lock when not in use. (Muzzle protector can not be used with gun lock in place.)

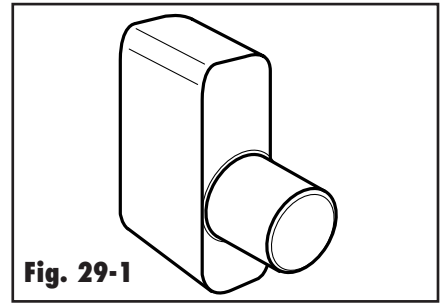


Fig. 29-1

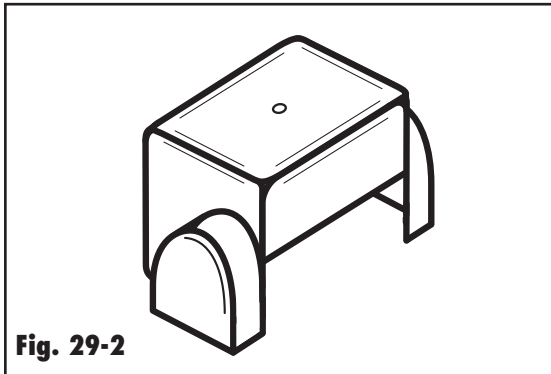


Fig. 29-2

REAR SIGHT PROTECTOR

A rear sight protector, **(See Figure 29-2)**, is available to protect the rear sight aperture and adjustment knobs and is recommended by Springfield Armory.

Springfield Armory offers a complete line of options and accessories to accommodate your M1 Garand. Please refer to our general catalog and current price list. Write to: Springfield Armory, 420 West Main Street, Geneseo, IL 61254, or visit our website at www.springfieldarmory.com.

SIGHTS

CAUTION: The sights are not zeroed at the factory. All sights should be “adjusted and sighted in” immediately in order to shoot accurately. A standard sighting in procedure is set forth in the article by Duff and Miller enclosed with your rifle.

Note “V” notch at rear edge of hooded aperture. When notch is turned from the “down” position to the up position, your zero will move up a 1/2 minute. When the notch is turned to the “down” position, your zero will move down. Most shooters sight in with the notch down. The M1 Garand standard rear sight does not have a hooded aperture.

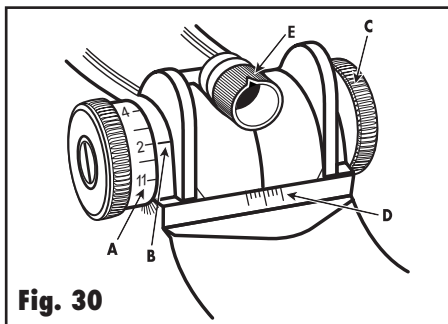


Fig. 30

MATCH SIGHT FINE ADJUSTMENT

Your National Match rear sight, (found only on National Match and Ultra Match rifles), has a 1/2 minute of angle elevation adjustment feature built into the hooded aperture eyepiece **(See Figure 30)**.

- A. Elevation Knob
- B. Elevation Reference Point
- C. Windage Knob
- D. Windage Reference Point
- E. Hooded Aperture Eyepiece



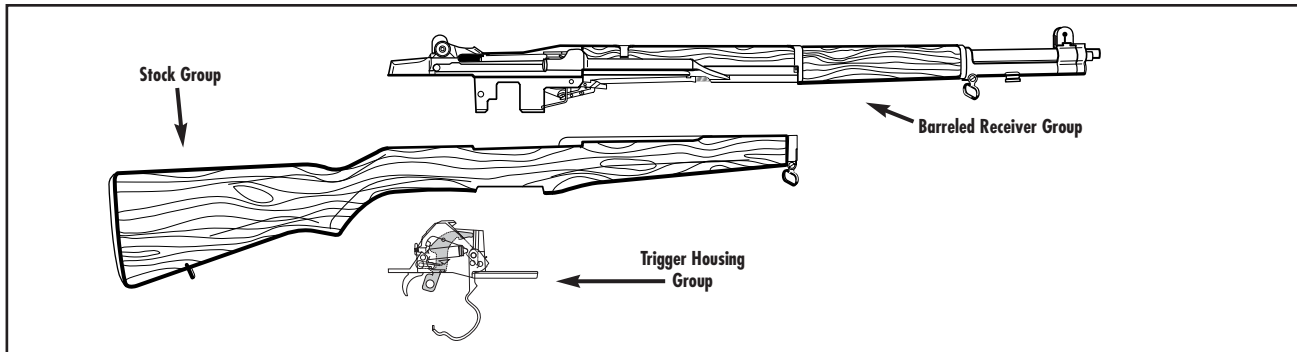
Always wear eye and ear protection when using any firearm.
Safety and instruction manuals are available from Springfield, Inc.

DISASSEMBLY/ASSEMBLY

The Standard M1 Garand has been designed to be taken apart and put together easily. No force is needed if it is disassembled and assembled correctly. However, the frequency of disassembly and assembly should be kept to a minimum. Constant disassembly causes excessive wear of the parts and leads to their early unserviceability and to inaccuracy of the rifle. **Please do not field strip your match rifle unless it is absolutely necessary.**

THE THREE MAIN GROUPS

The three main groups are the trigger housing group, the barreled receiver group, and the stock group.



Prior to disassembly, put safety on and unload the rifle!



Always wear eye and ear protection when using any firearm.
Safety and instruction manuals are available from Springfield, Inc.

31

DISASSEMBLY

Point the gun in a safe direction. Unload the rifle and close the bolt prior to disassembly (See Page 24).

To remove the trigger housing group place the rifle upside down with barrel pointing away from you. Grasp the forend with one hand. Grasp the rear of the trigger guard with the thumb and forefinger of your other hand and pull upward and outward until the mechanism is released. Lift out the trigger housing group (See Figure 32-1).

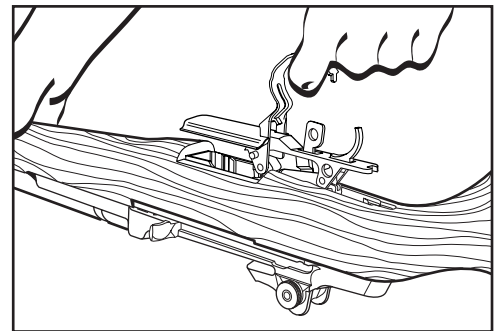


Fig. 32-1

To separate the barrel and receiver from the stock, lay the rifle on a flat surface with the sights down and muzzle to the left. Grasp the top of the forend with the left hand and with right hand grasp the rear sights/receiver and pull down. With a standard rifle the stock should separate easily. If not, with the rifle in this upside down position, raise the buttstock and strike down firmly on a hard surface against the stock's comb while pulling the receiver down with right hand (See Figure 32-2).

CAUTION: DO NOT ATTEMPT DISASSEMBLY OF NATIONAL MATCH OR ULTRA MATCH GARAND WITH THE ABOVE METHOD OR THE STOCK MAY BE BROKEN OR DAMAGED.

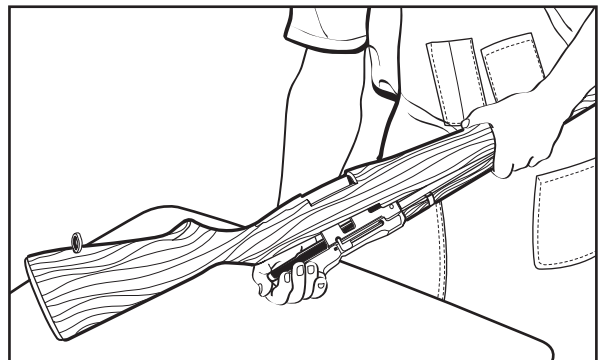


Fig. 32-2

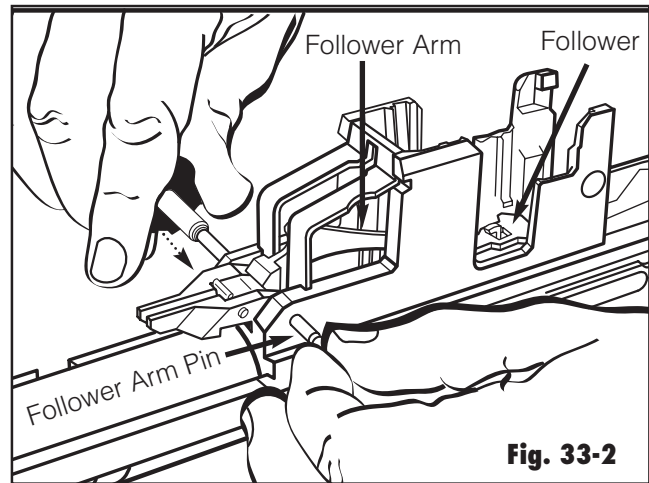
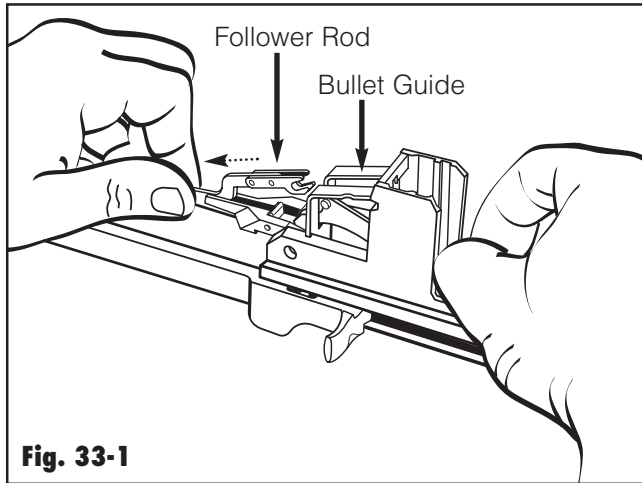
DISASSEMBLY OF BARREL AND RECEIVER GROUP



WARNING

Warning: Removing the operating rod spring is a dangerous procedure. If not properly held, the spring will eject the follower rod and could injure you or a bystander. Wear eye protection at all times.

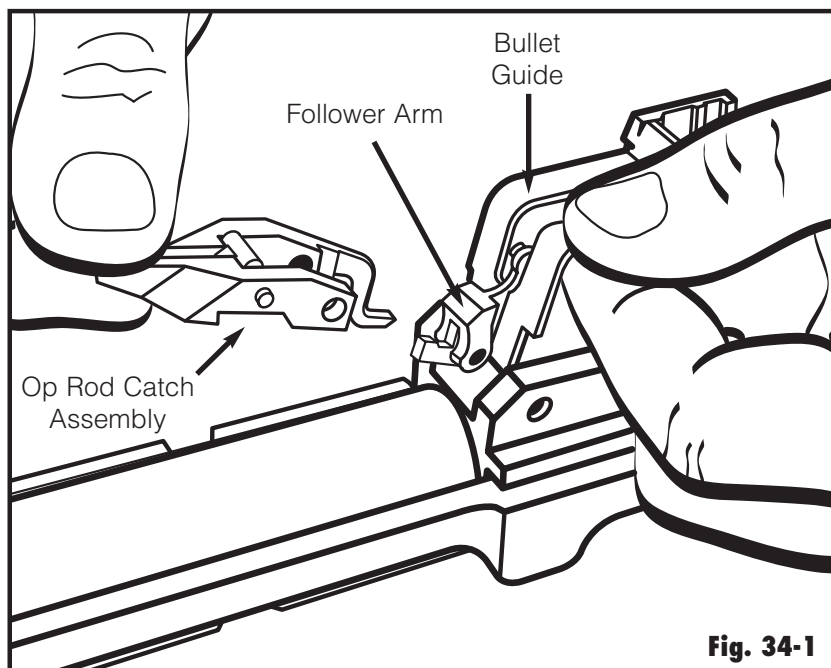
1. Place the barrel and receiver group on a flat surface, sights down, muzzle to the left, bolt closed. Grasp the follower rod and pull it towards the muzzle, disengaging it from the follower arm. Lift up slightly, slowly releasing the spring pressure, and remove the operating rod spring and follower rod from the rifle. **(See Figure 33-1).**
2. Remove the follower arm pin. **(See Figure 33-2).**



33

3. Lift the operating rod catch assembly, bullet guide, and follower arm away from the receiver. **(See Figure 34-1).**

DO NOT ATTEMPT TO REMOVE THE ACCELERATOR AND PIN FROM THE OPERATING ROD CATCH ASSEMBLY.



4. Lift the follower assembly out of the receiver. (See Figure 35-1).

5. Pull the operating rod to the rear until it is aligned with the rear of the disassembly notch. Using an upward and outward movement disengage the operating rod from the receiver. (See Figure 35-2). Remove the operating rod by pulling to the rear and then downward. **M1 GARAND OPERATING RODS ARE BENT BY DESIGN, DO NOT ATTEMPT TO STRAIGHTEN OR ALTER YOUR OPERATING ROD.**

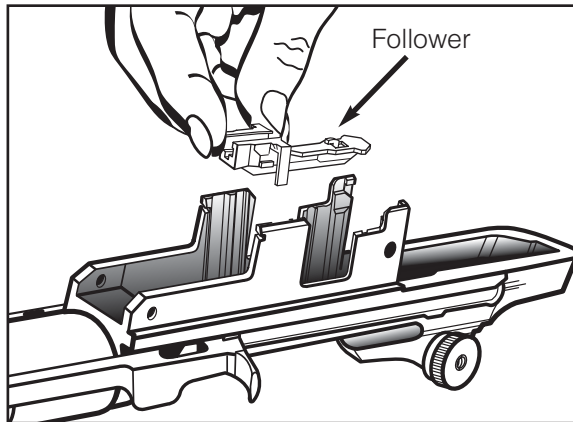


Fig. 35-1

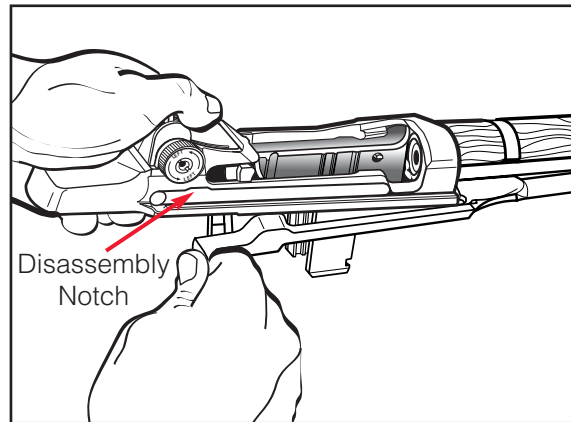


Fig. 35-2



Always wear eye and ear protection when using any firearm.
Safety and instruction manuals are available from Springfield, Inc.

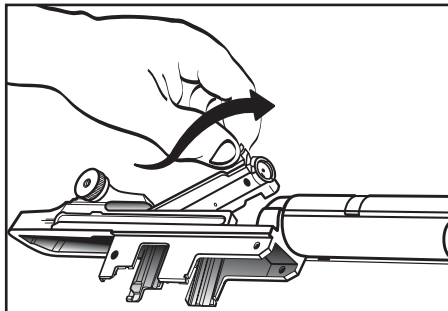
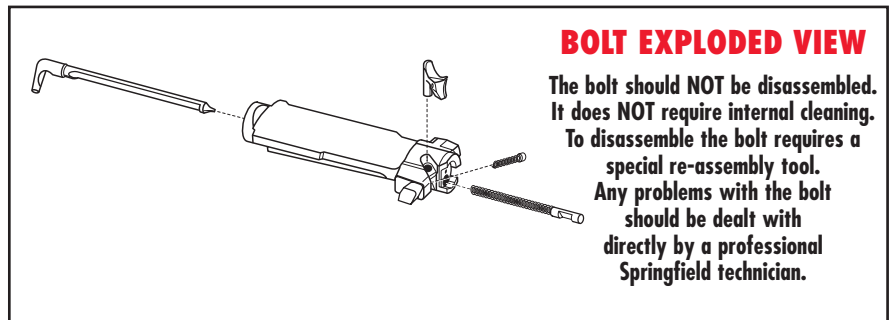


Fig. 36-1



REMOVING THE BOLT

Grasp the right lug and, while sliding it forward, lift it upward and outward to the right front with a slight counter-clockwise rotating motion (**See Figure 36-1**).

ASSEMBLY OF BARREL & RECEIVER GROUP REPLACING THE BOLT

Place the barrel and receiver on the table, sights up, muzzle pointing away from you. Hold the bolt by the right lug and place the rear of the bolt on the bridge of the receiver, with the firing pin tang pointed down. Turn the bolt slightly clockwise until the tang of the firing pin clears the bridge. Guide the left locking lug of the bolt into its groove in the left slide of the receiver. Lower the right locking lug on its bearing surface and slide the bolt halfway to the rear.

REPLACING OPERATING ROD



Holding the operating rod at the handle, place the front end into the gas cylinder, and position the rod so that the recess in the operating rod hump fits over the right bolt lug. Move the operating rod handle to the left until the operating rod guide lug fits into the disassembly notch on the receiver. Then push the operating rod forward until the bolt is closed.

Reinstall remaining components in reverse order. Referring to the drawings will aid in reassembly of the gun. **Insure that the extension on the operating rod catch is under the tab of the clip latch. (If you push against the**

37

REFERENCE MATERIALS INCLUDED

1. Department of the Army Field Manual, FM 23-5
2. Zeroing M1 & M1A service rifles by Scott Duff & John Miller.
3. Article on Slam Fire by Wayne FAATZ.

If a copy of these articles are missing or additional copies are desired, send request to Springfield, Inc., 420 West Main Street, Geneseo, Illinois 61254, with name and address for a free copy.



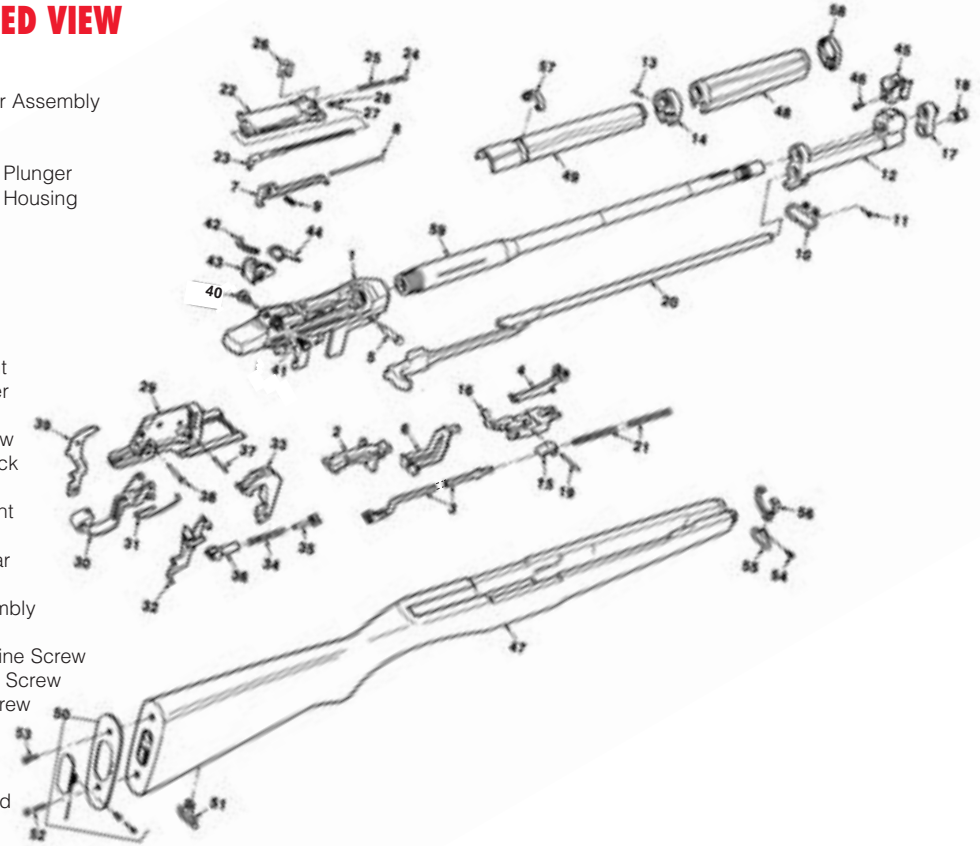
Always wear eye and ear protection when using any firearm.
Safety and instruction manuals are available from Springfield, Inc.

***TECHNICAL SPECIFICATIONS MAY BE ALTERED WITHOUT NOTICE.**

M1 GARAND EXPLODED VIEW

- # Name
- 1 Receiver
- 2 Follower
- 3 Follower Rod
- 4 Follower Arm
- 5 Follower Pin
- 6 Bullet Guide
- 7 Clip Latch
- 8 Clip Latch Pin
- 9 Clip Latch Spring
- 10 Stack Swivel
- 11 Stack Swivel Screw
- 12 Gas Cylinder
- 13 Lower Band Pin
- 14 Lower Band
- 15 Op Rod Catch Accelerator
- 16 Op Rod Catch Stripped
- 17 Gas Cylinder Lock
- 18 Gas Cylinder Lock Screw
- 19 Op Rod Catch Pin
- 20 Op Rod
- 21 Op Rod Spring
- 22 Bolt
- 23 Firing Pin
- 24 Ejector (Bolt)
- 25 Ejector Spring
- 26 Extractor
- 27 Extractor Spring
- 28 Extractor Plunger
- 29 Trigger Housing
- 30 Trigger Guard, Stamped

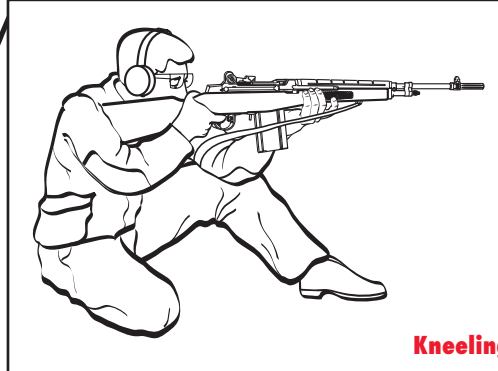
- # Name
- 31 Ejector, Clip
- 32 Trigger and Sear Assembly
- 33 Hammer
- 34 Hammer Spring
- 35 Hammer Spring Plunger
- 36 Hammer Spring Housing
- 37 Hammer Pin
- 38 Trigger Pin
- 39 Safety
- 40 Elevation Knob
- 41 Windage Knob
- 42 Aperture
- 43 Base, Rear Sight
- 44 Rear Sight Cover
- 45 Front Sight, Std.
- 46 Front Sight Screw
- 47 New Walnut Stock w/o Hardware
- 48 New Walnut Front Handguard
- 49 New Walnut Rear Handguard
- 50 Butt Plate Assembly
- 51 Rear Swivel
- 52 Butt Plate Machine Screw
- 53 Butt Plate Wood Screw
- 54 Front Ferrule Screw
- 55 Front Swivel
- 56 Front Ferrule
- 57 Handguard Clip
- 58 Handguard Band
- 59 Barrel



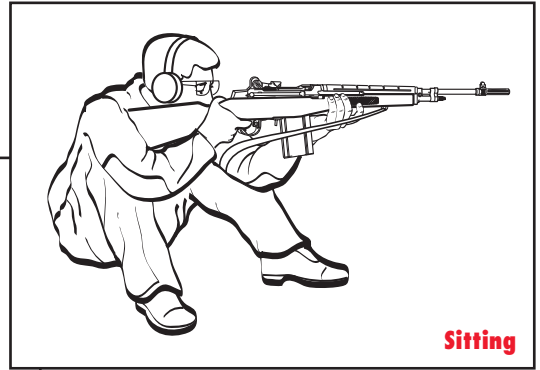
THE FOUR BASIC SHOOTING POSITIONS



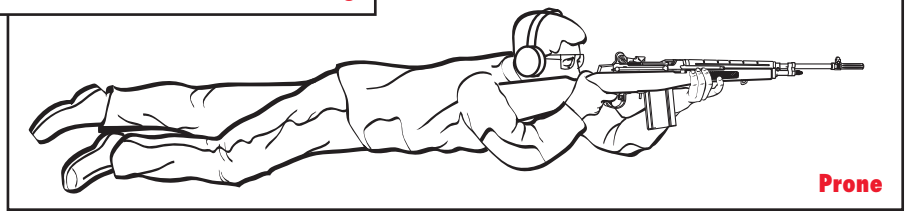
Standing



Kneeling



Sitting



Prone

Springfield Armory M1A Rifle Pictured.

